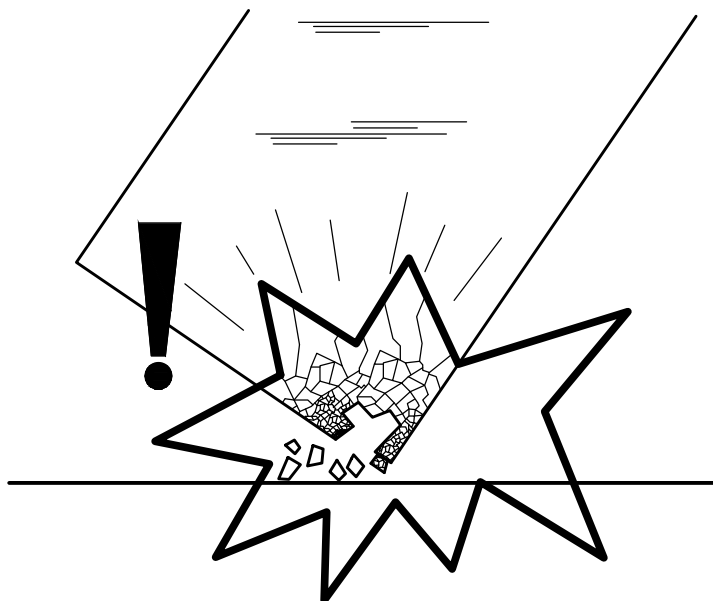
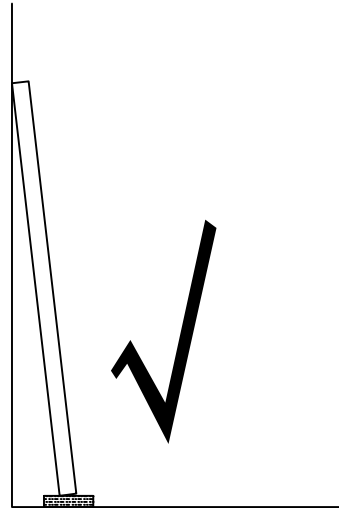
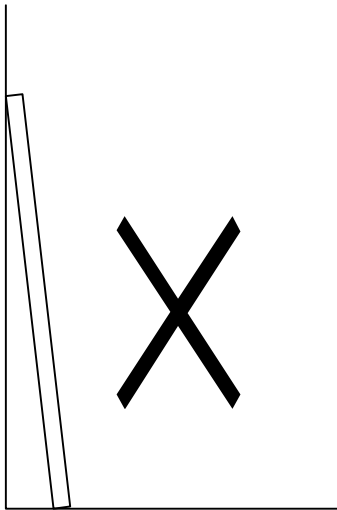
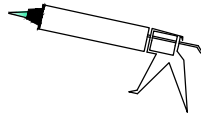
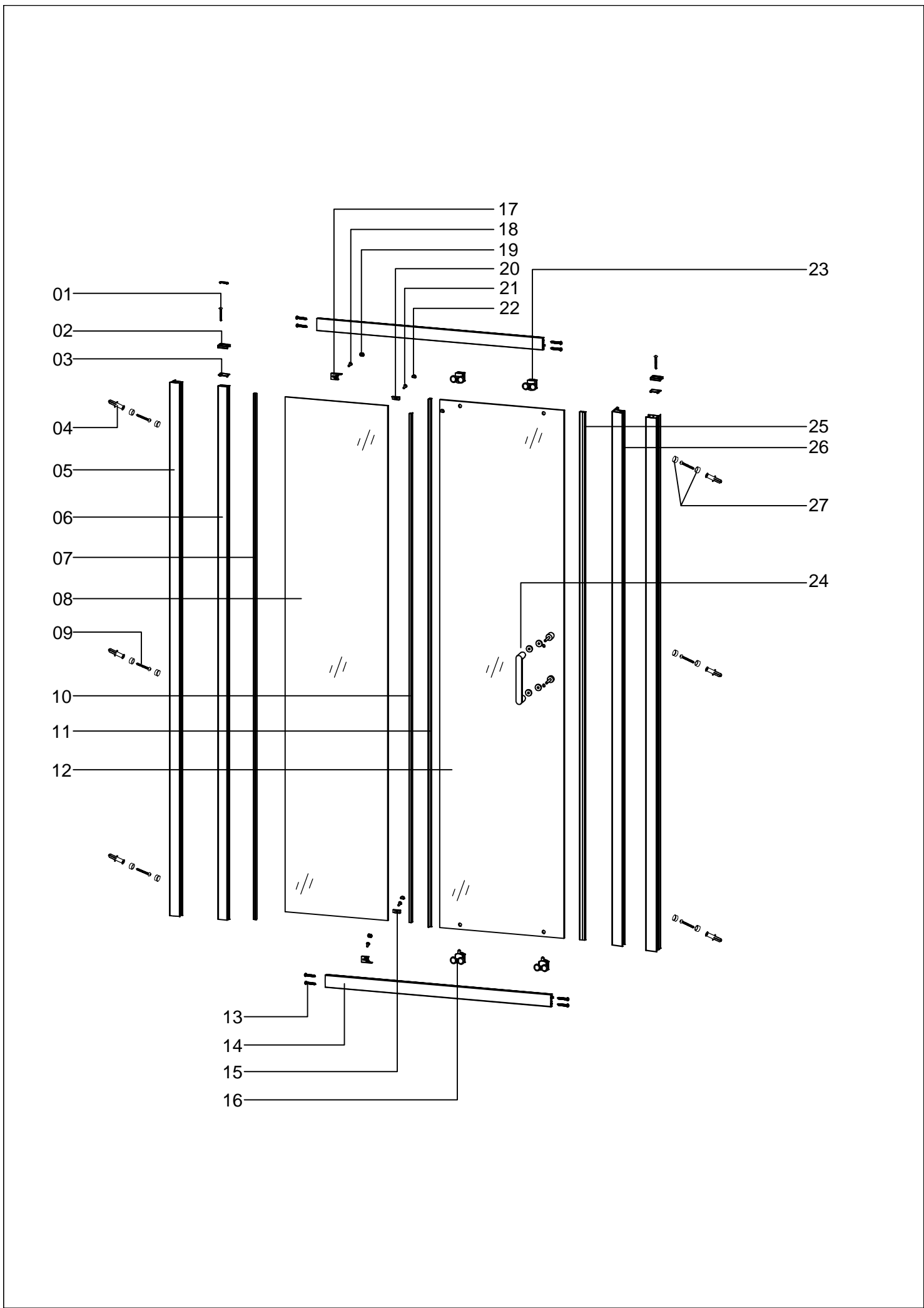



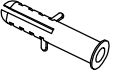



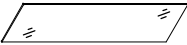

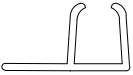
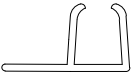
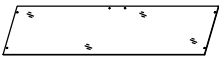


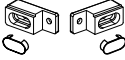




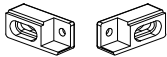
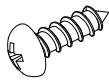


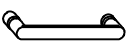

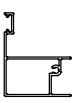



$\phi 6$

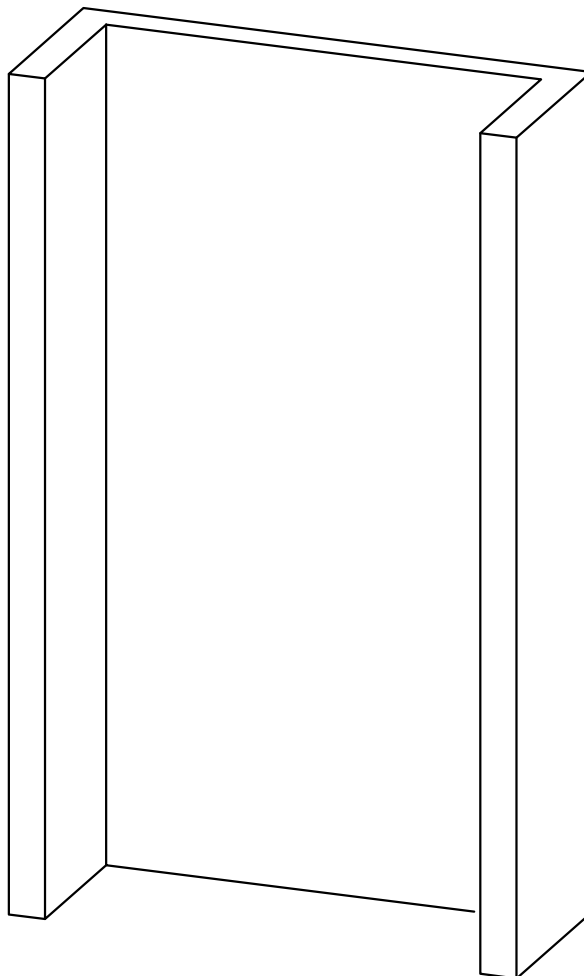
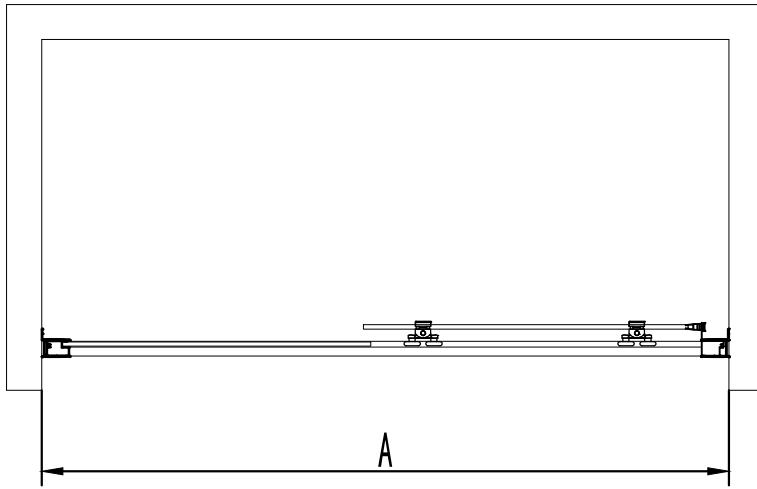




serial number	graphical	Parameter	quantity	remarks
1		ST3.5X35	2 PCS	
2			2 PCS	
3			2 PCS	
4			6 PCS	
5			2 PCS	
6			1 PCS	
7			1 PCS	
8			1 PCS	
9		ST3.9X35	6 PCS	
10			1 PCS	
11			1 PCS	
12			1 PCS	
13		ST3.5X35	8 PCS	
14			2 PCS	
15			1 PCS	
16			2 PCS	

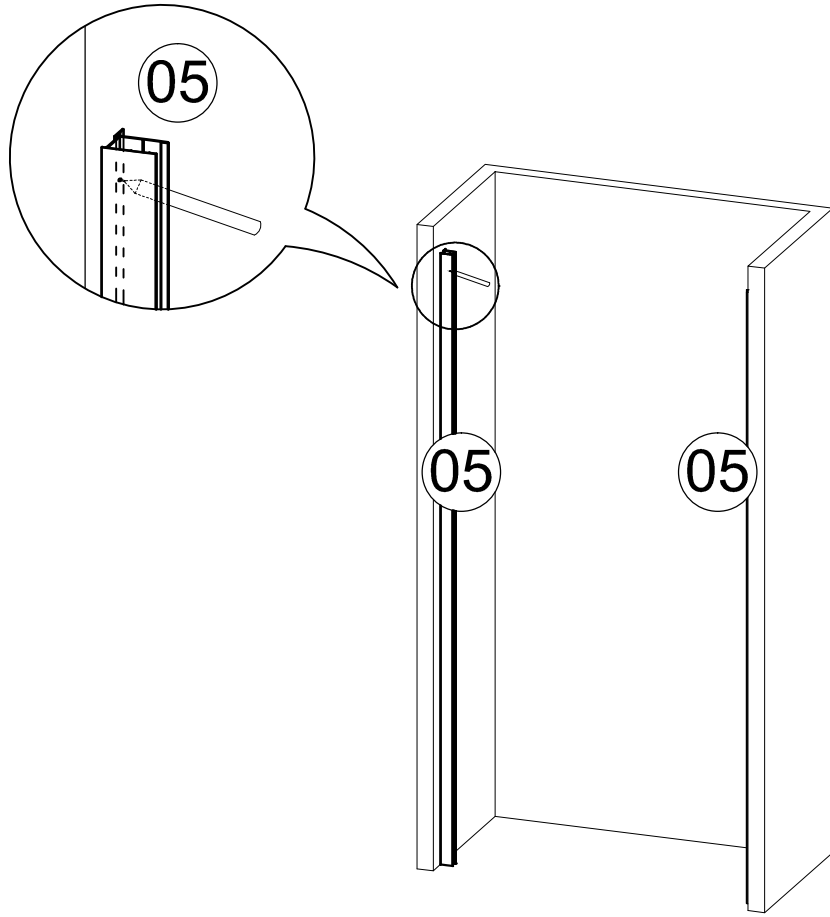
serial number	graphical	Parameter	quantity	remarks
17			2 PCS	
18		ST3.5X9.5	2 PCS	
19			2 PCS	
20			2 PCS	
21		ST3.5X13	2 PCS	
22			2 PCS	
23			2 PCS	
24			1 PCS	
25			1 PCS	
26			1 PCS	
27			6 PCS	

	A(mm)
900	870-910
1000	970-1010
1100	1070-1110
1200	1170-1210
1300	1270-1310
1400	1370-1410
1500	1470-1510
1600	1570-1610

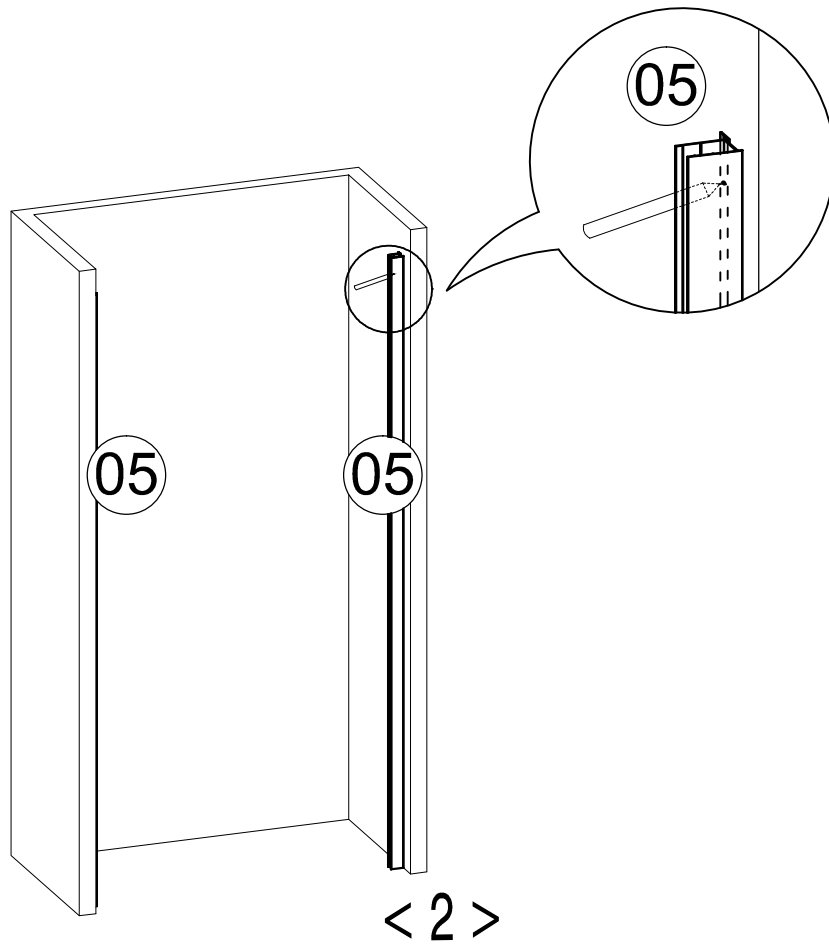


< 1 >

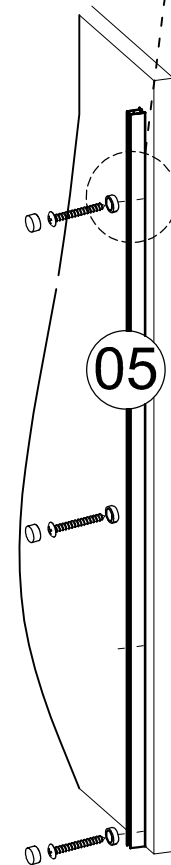
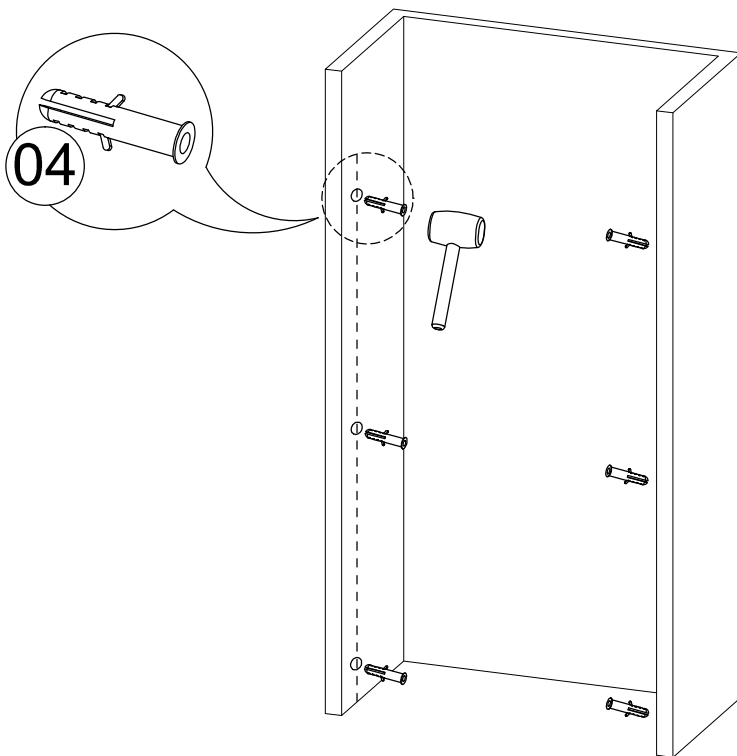
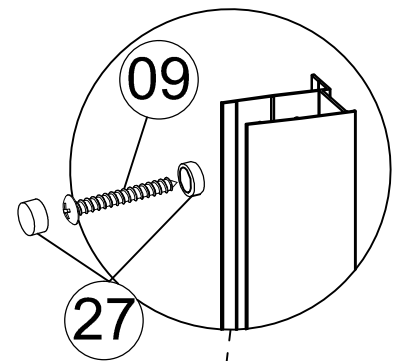
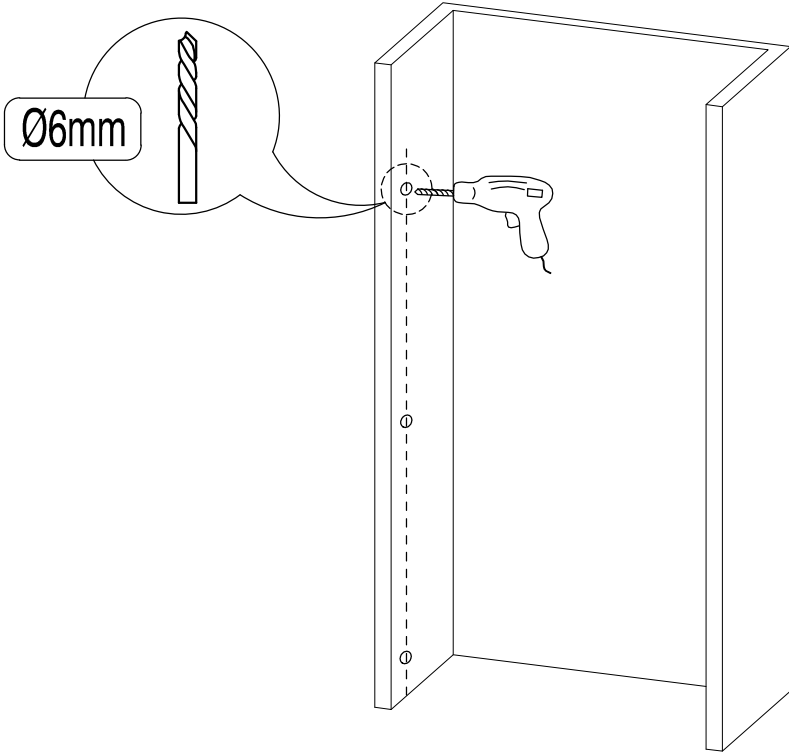
L



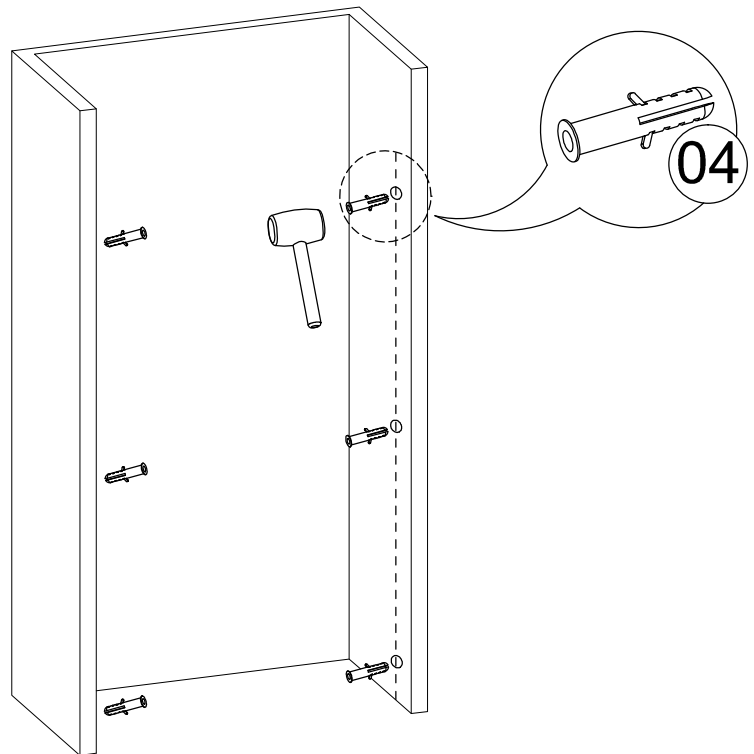
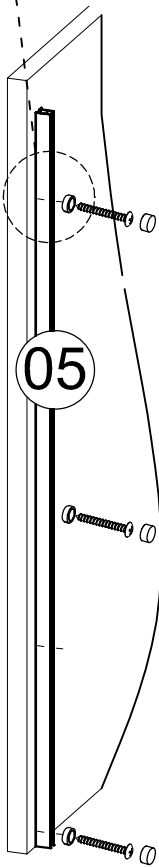
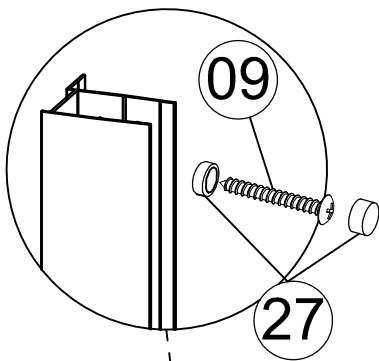
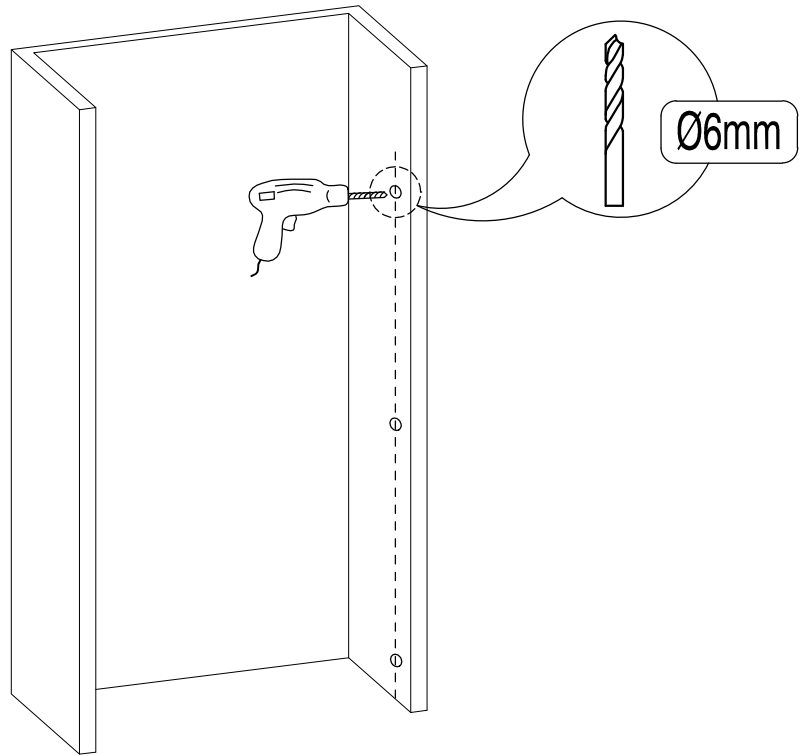
R

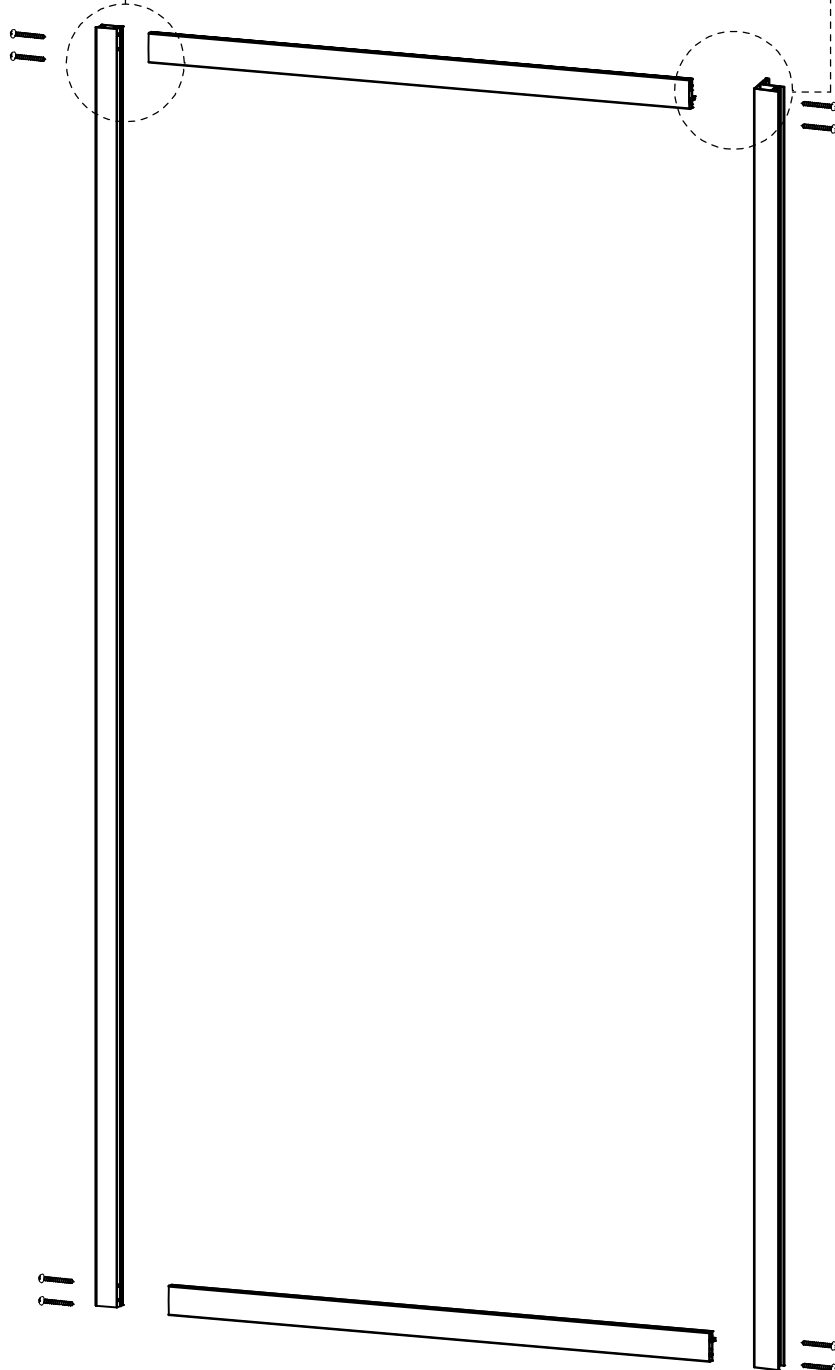
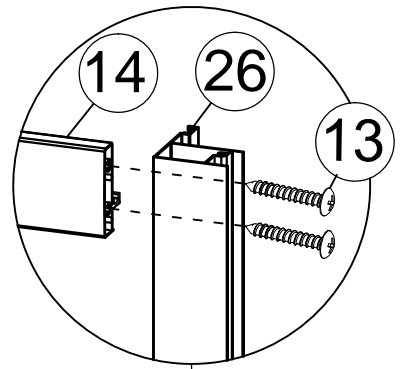
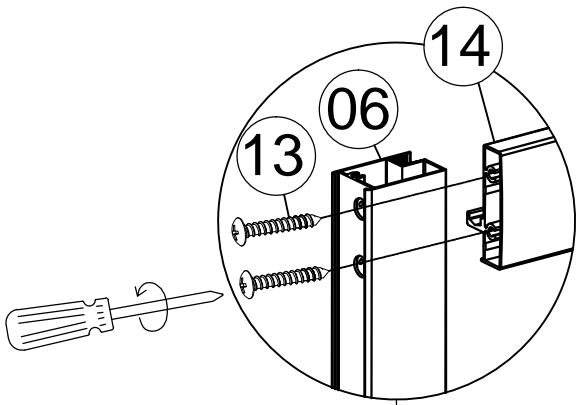


L

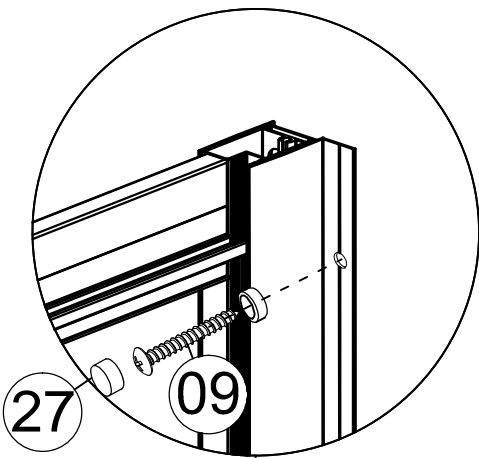
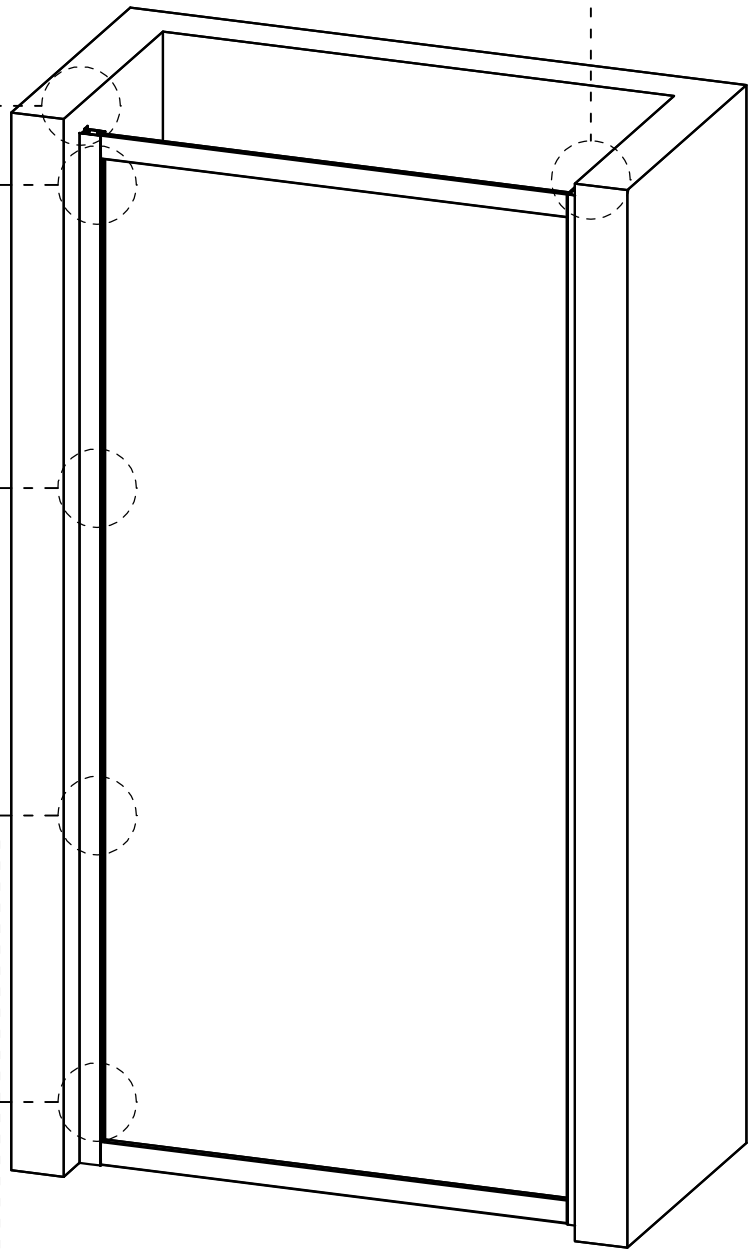
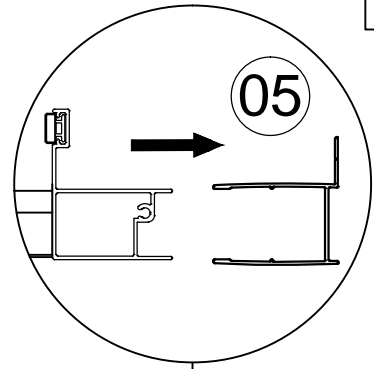
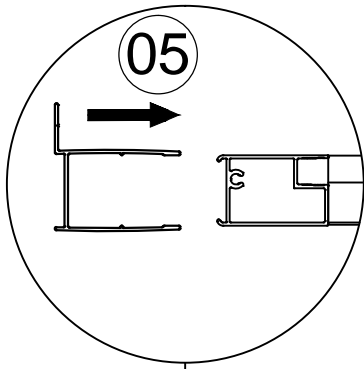


R

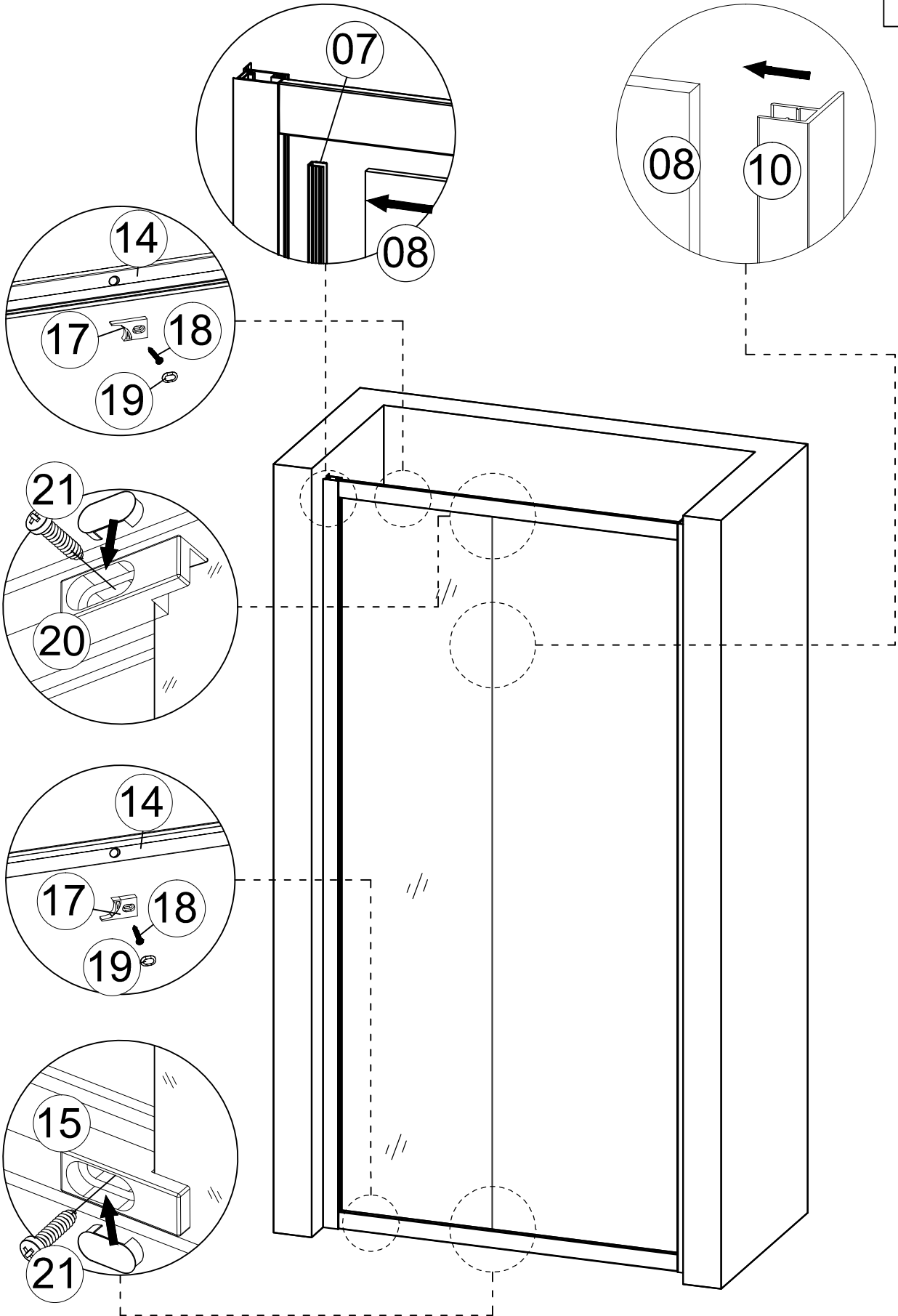




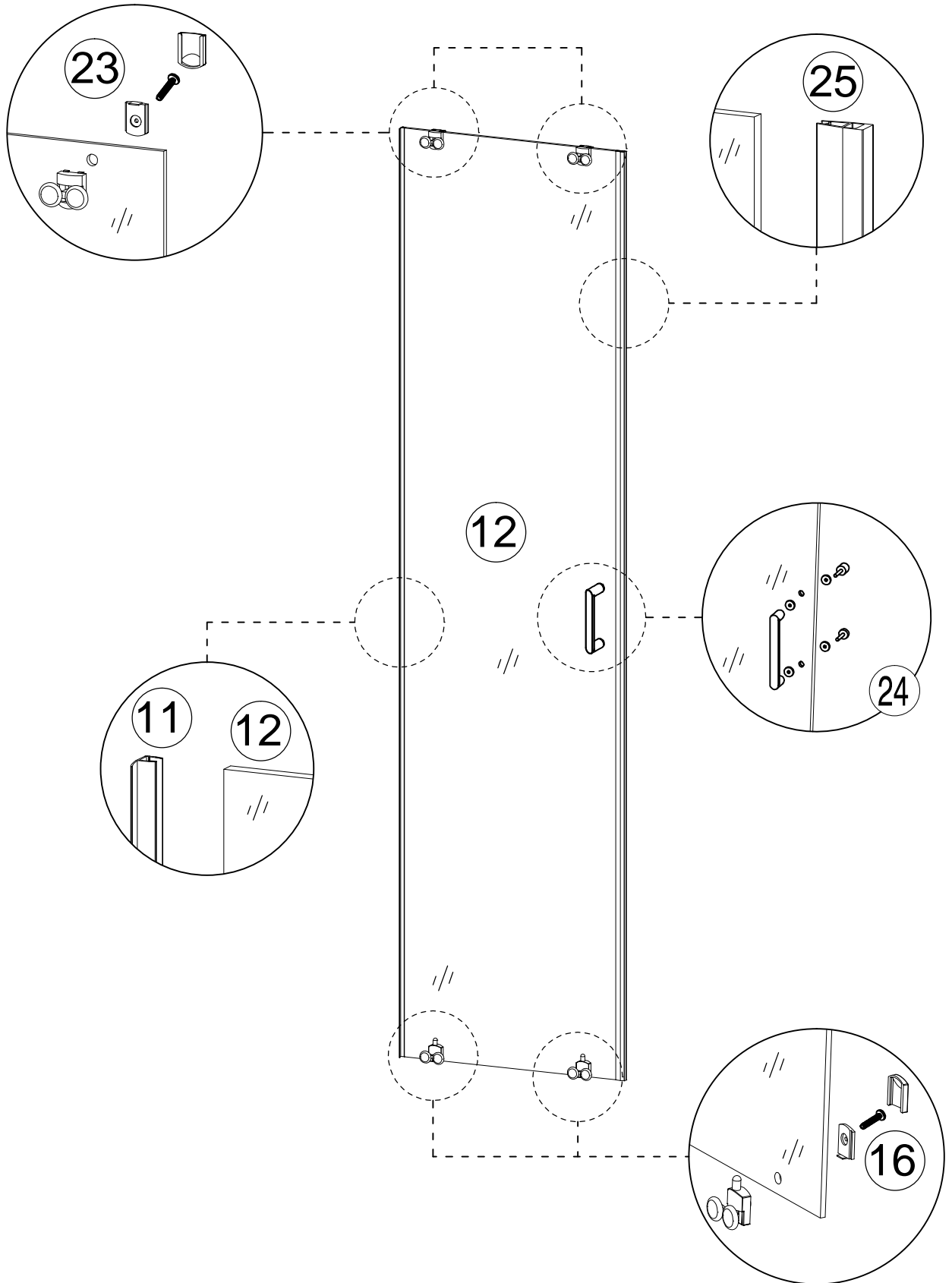
L



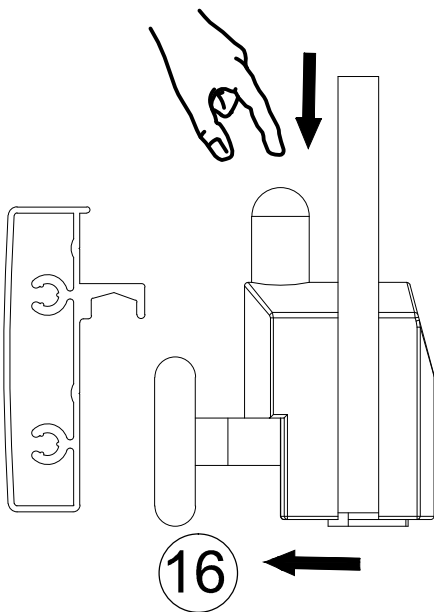
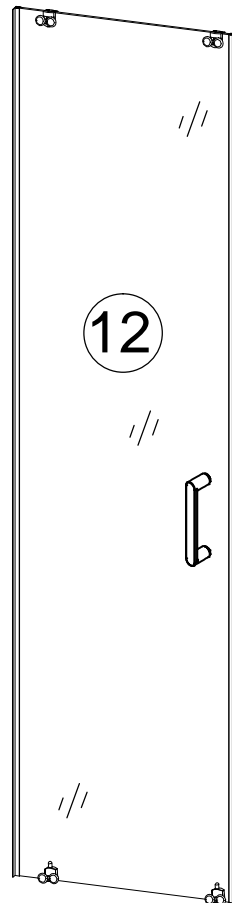
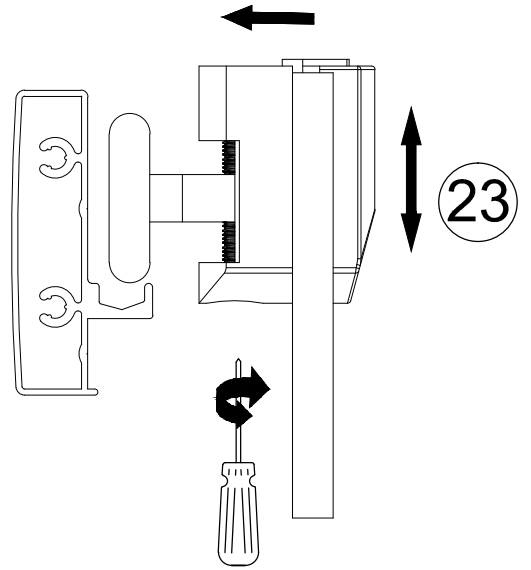
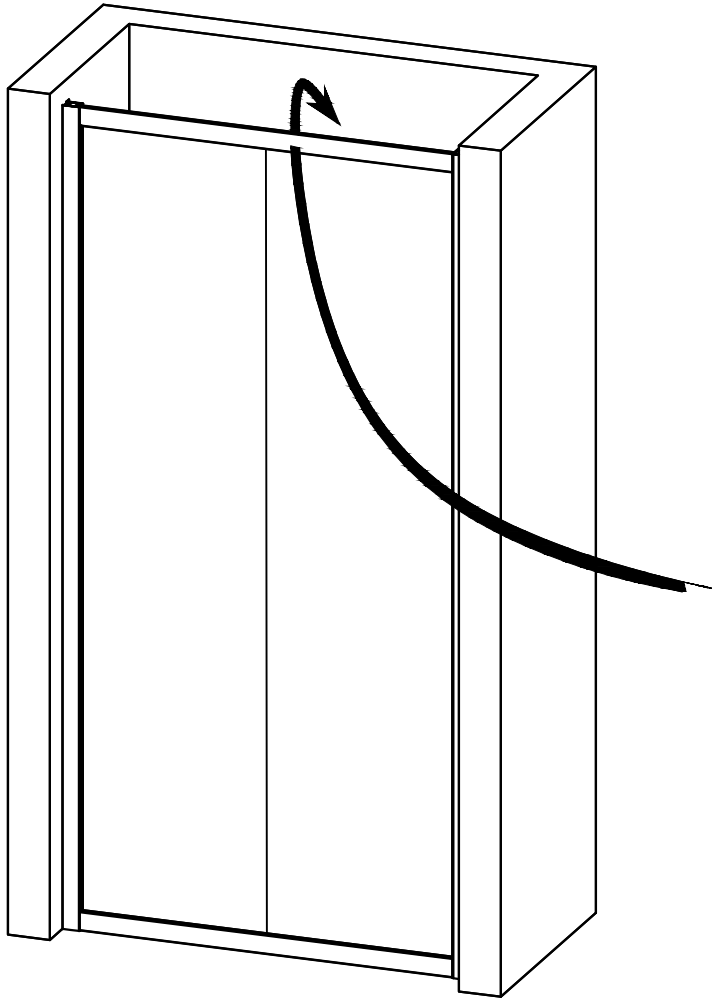
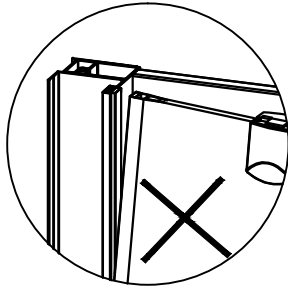
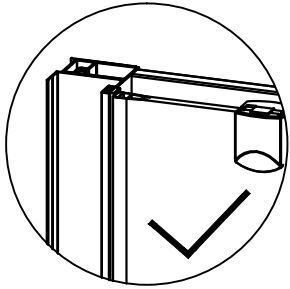
L



L



L



L

