

C-02-6200

C-02-B6200

C-02-6220

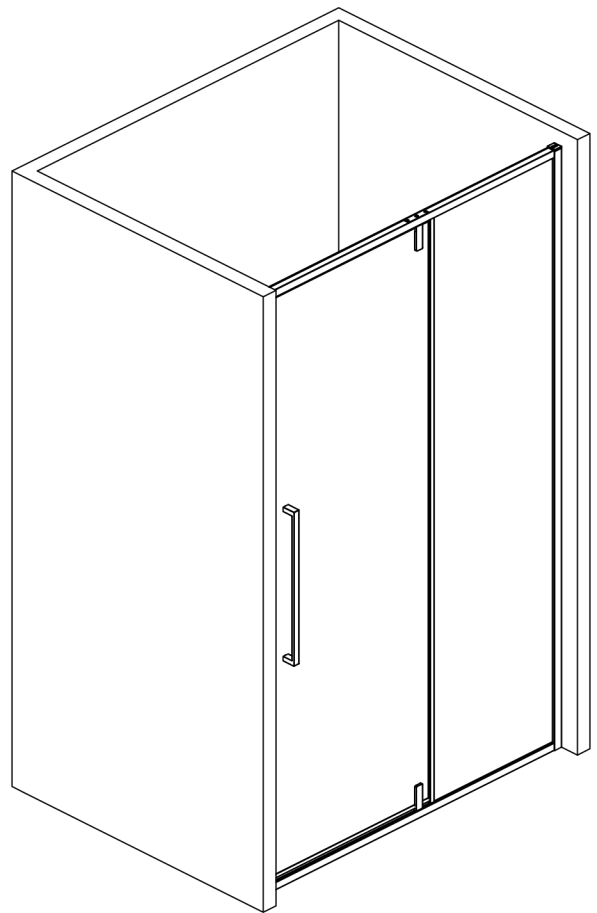
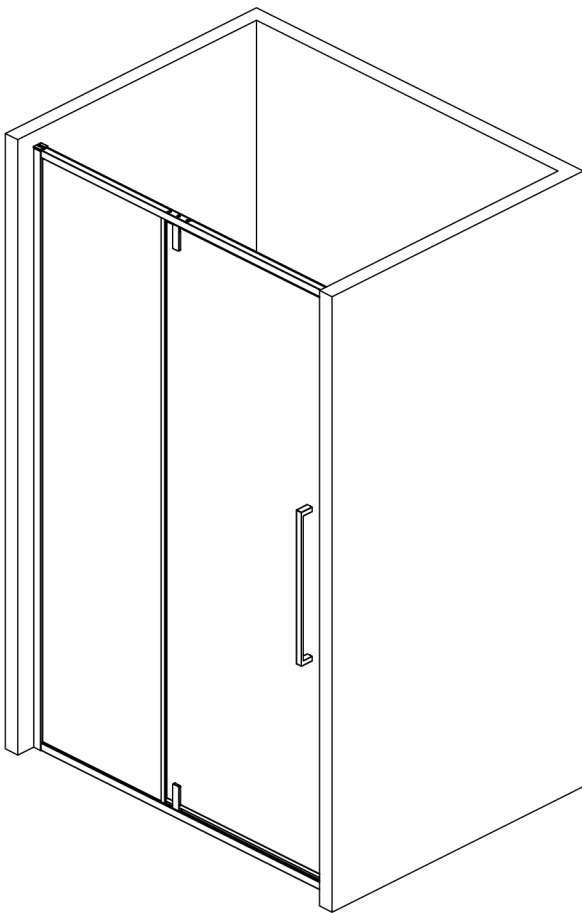
C-02-B6220

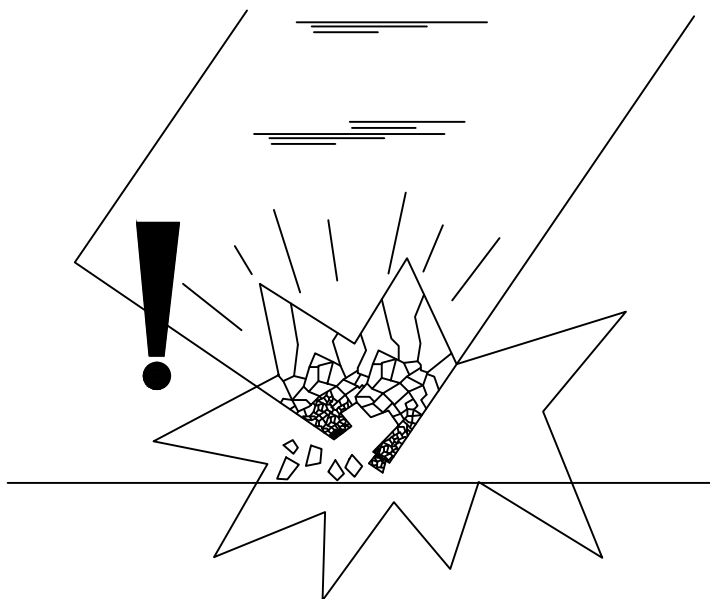
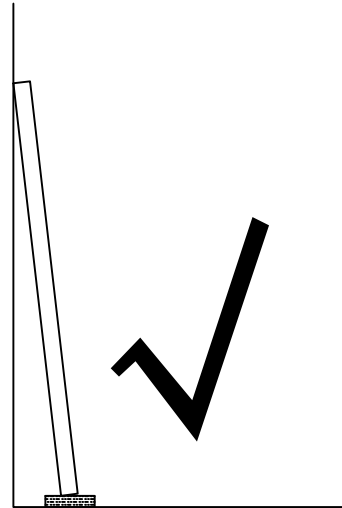
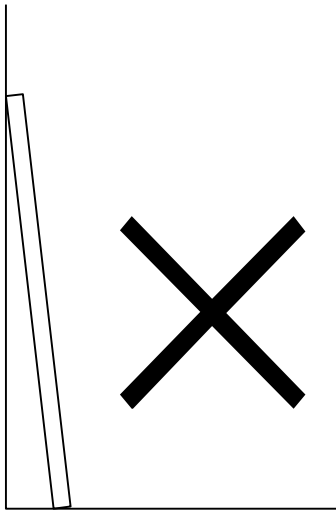
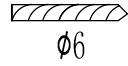
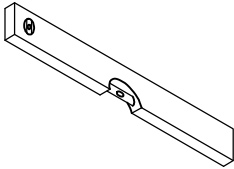
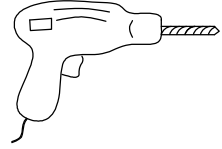
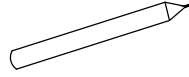
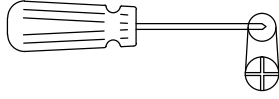
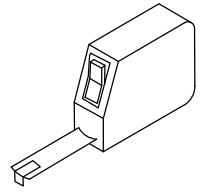
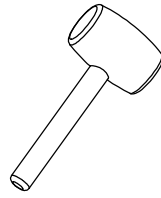
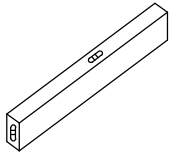
C-02-6100

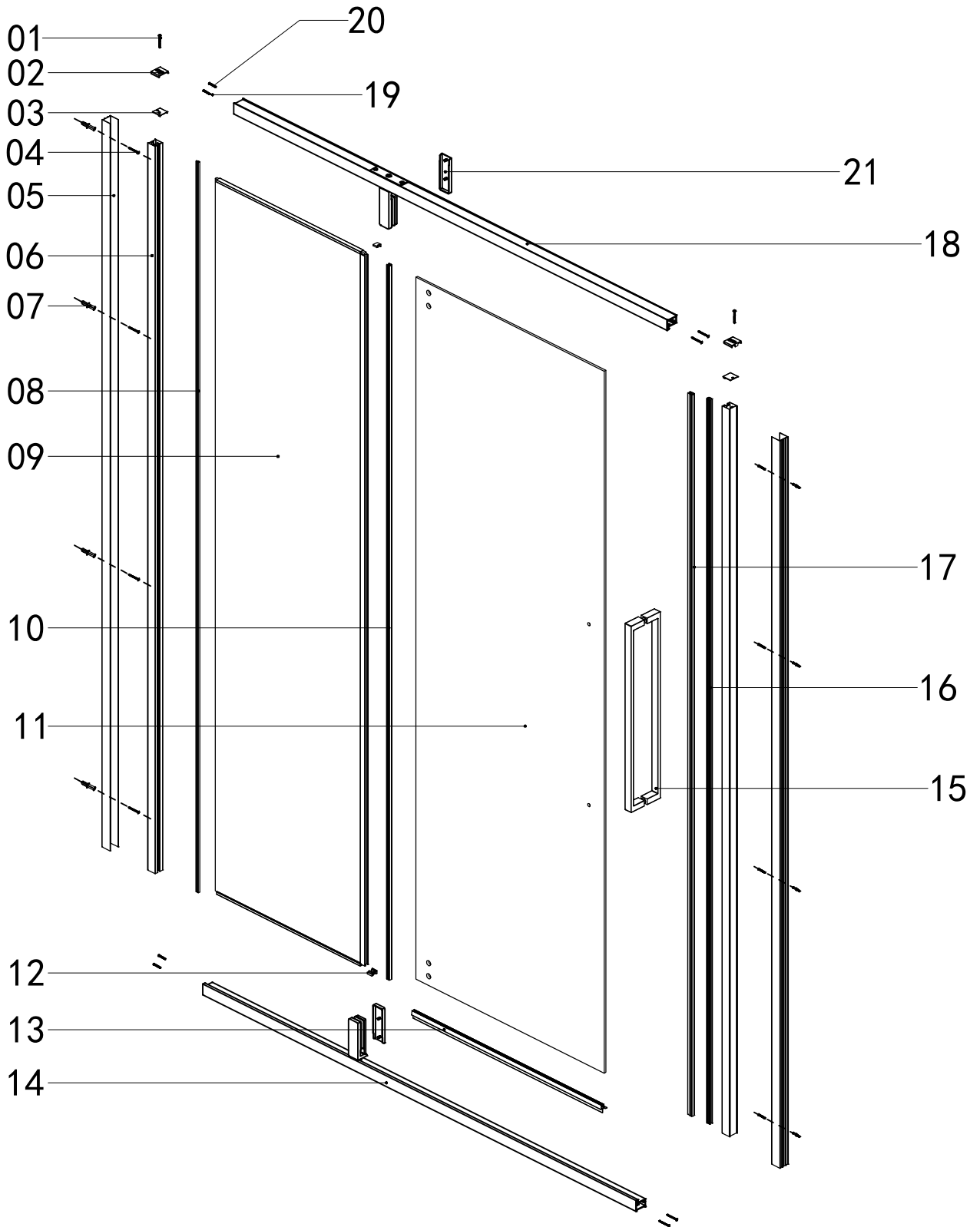
C-02-B6100





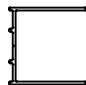
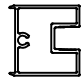


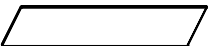
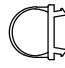
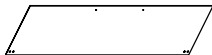

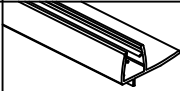

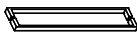



C-02-6120




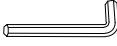
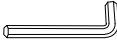

C-02-B6120

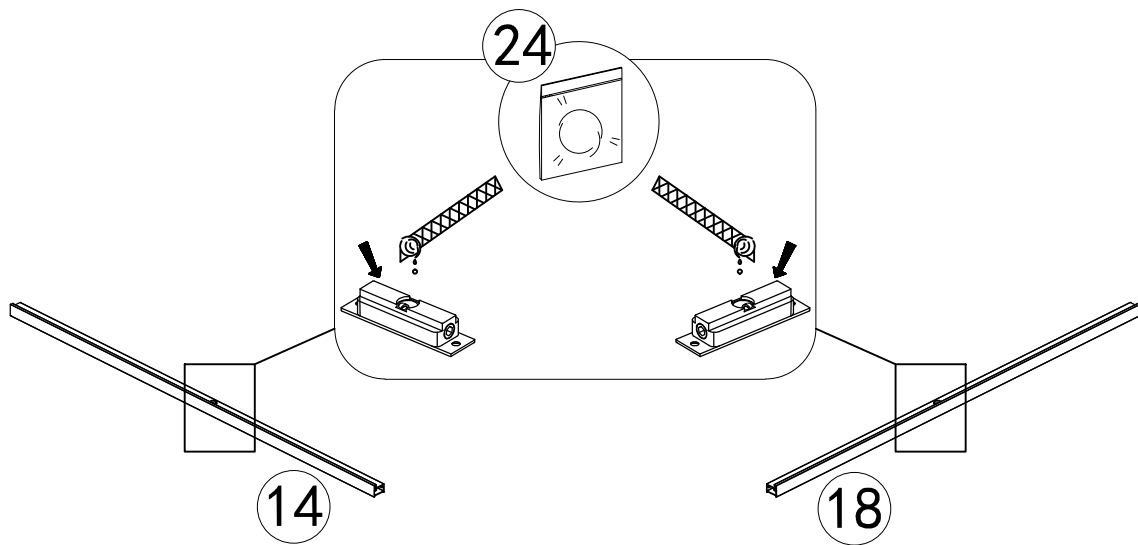




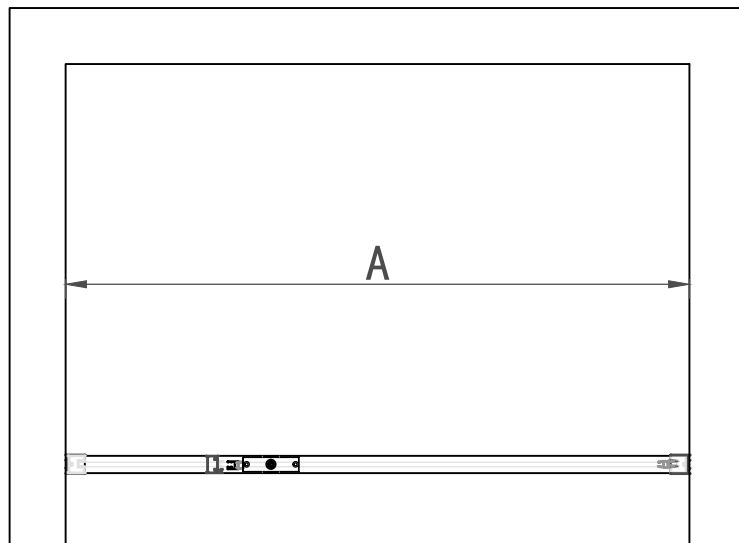


Serial number	Graphical	Name	Quantity	Remarks
01		ST3. 5X20	2PCS	
02			2PCS	
03			2PCS	
04		ST3. 9X35	8PCS	
05			2PCS	
06			2PCS	
07			8PCS	
08			1PCS	
09			1PCS	
10			1PCS	
11			1PCS	
12		L/R	2PCS	
13		L/R	1PCS	
14		L	1PCS	
15			1PCS	
16			1PCS	
17			1PCS	
18		R	1PCS	

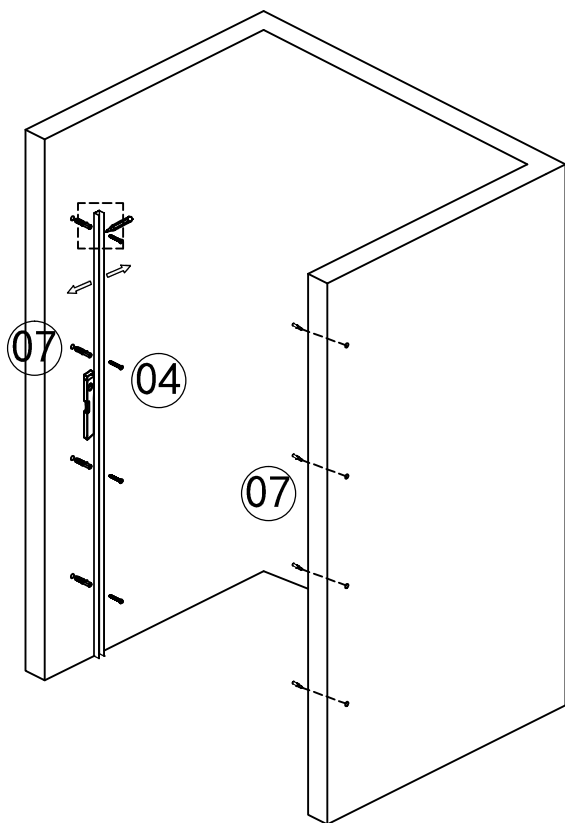
Serial number	Graphical	Name	Quantity	Remarks
19		ST3. 5X35	4PCS	
20		ST3. 5X55	4PCS	
21			2PCS	
22		M2. 5	1PCS	
23		M4	1PCS	
24			1PCS	



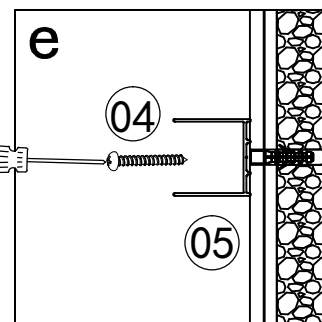
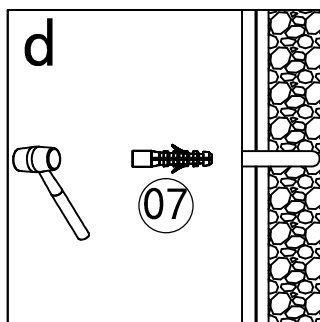
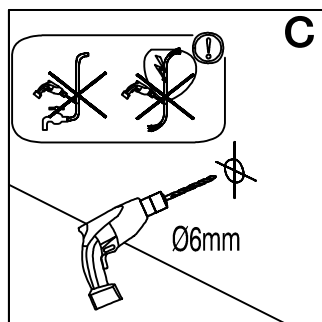
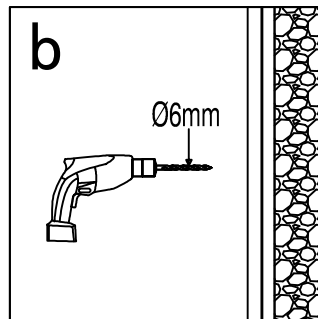
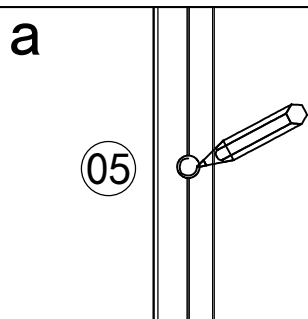
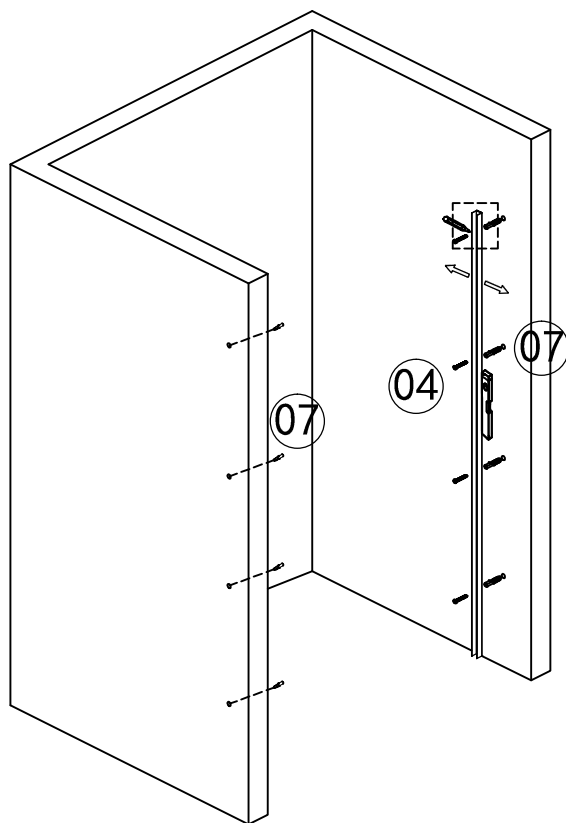
	A
800	775-805
900	875-905
1000	975-1005
1100	1075-1105
1200	1175-1205

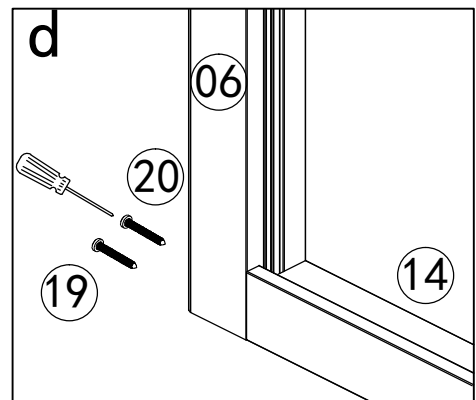
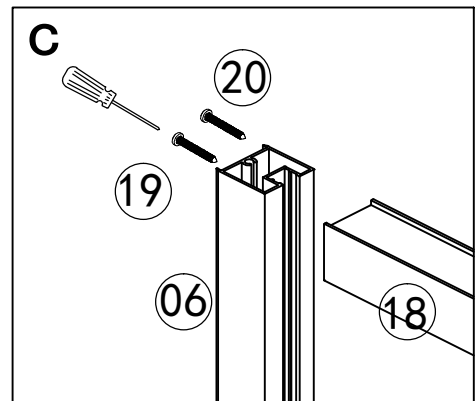
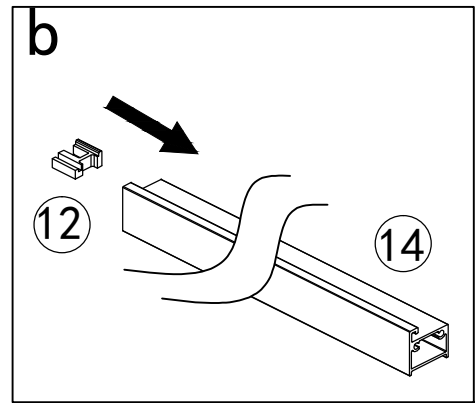
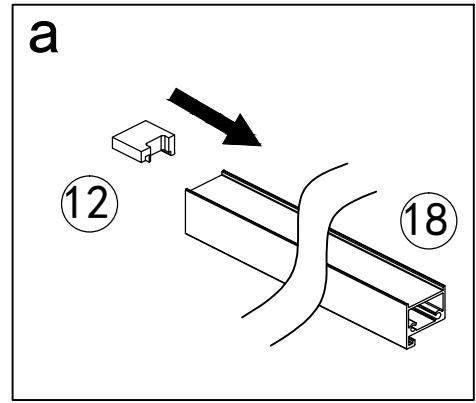
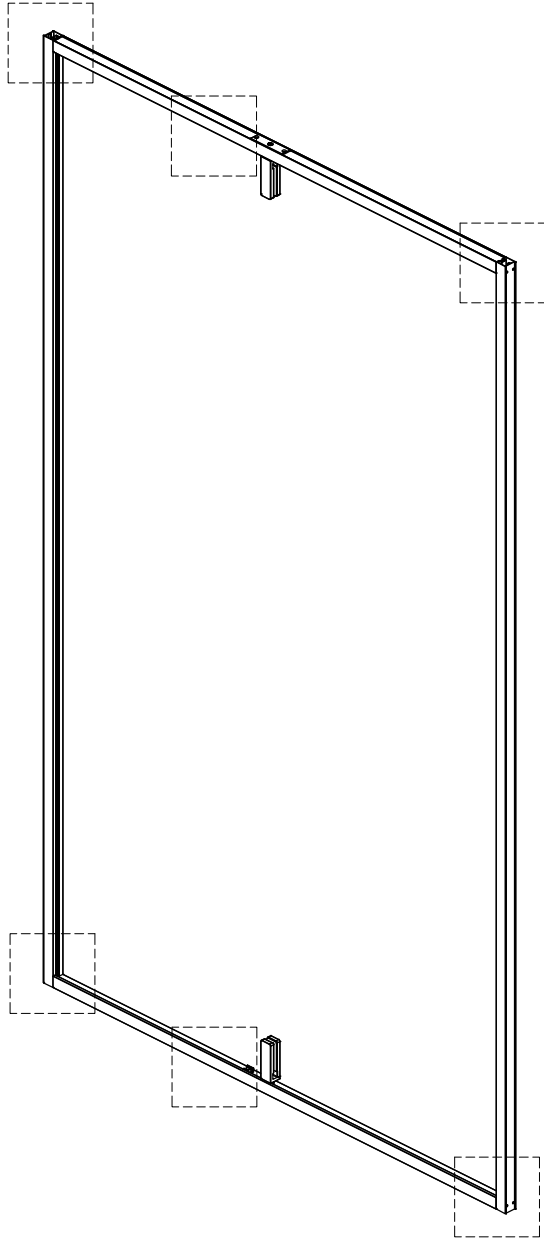


L

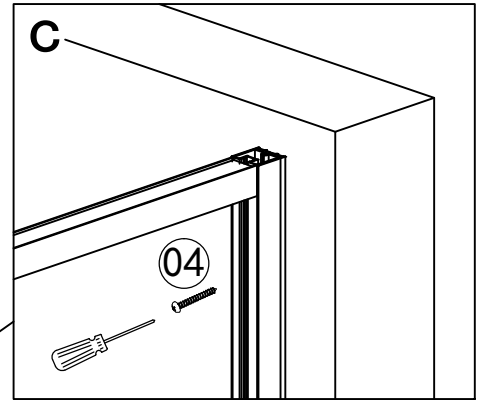
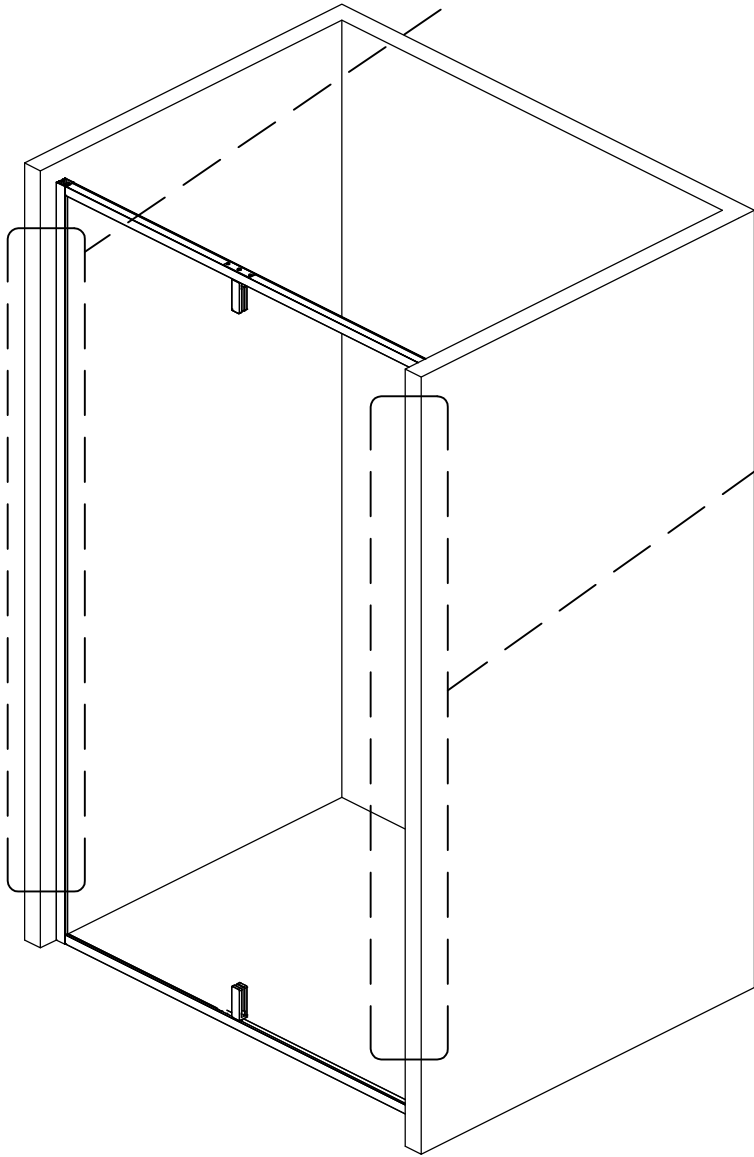
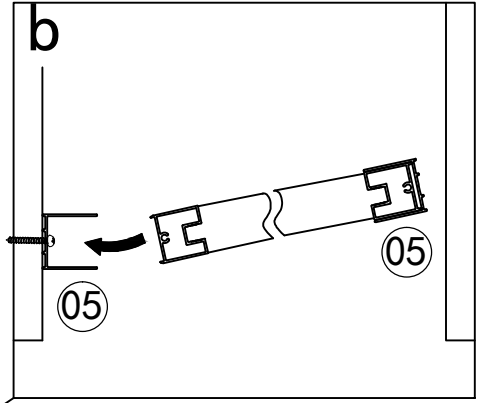
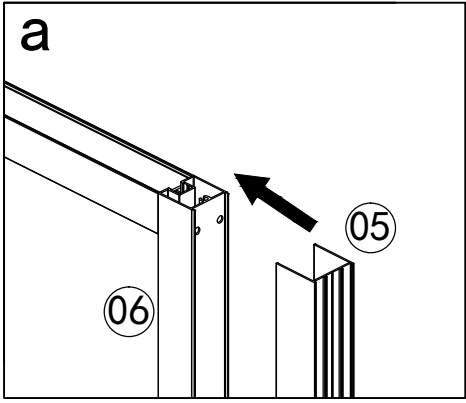


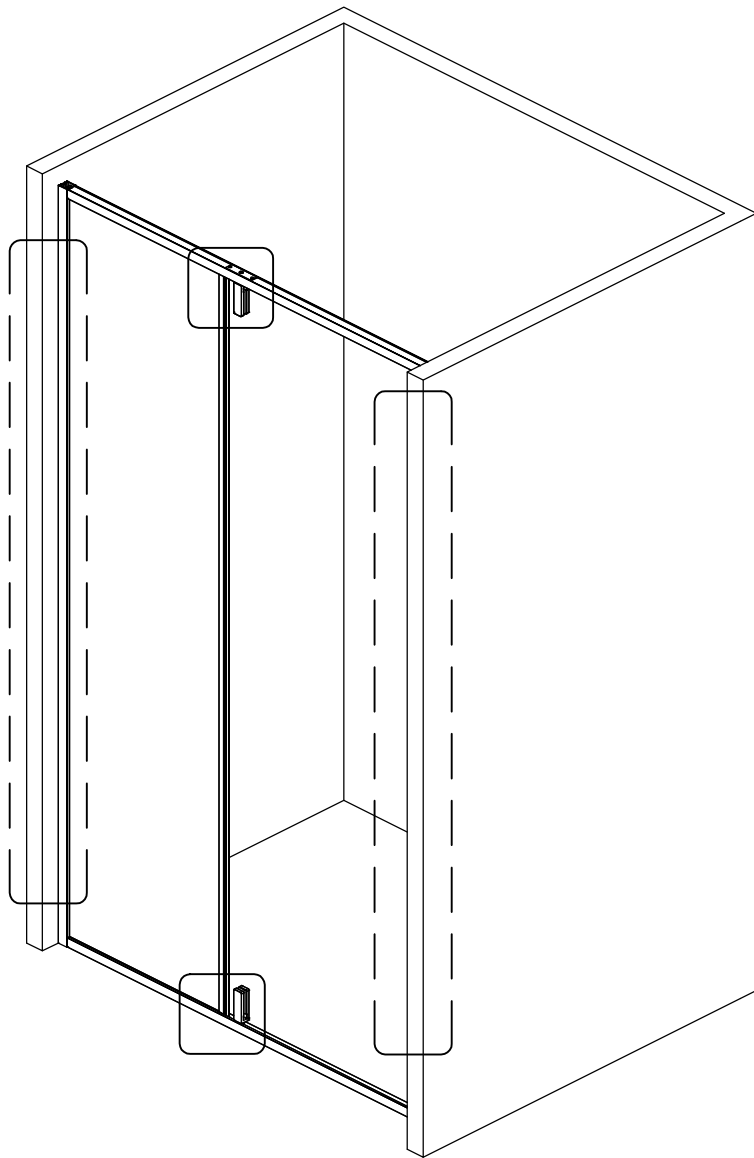
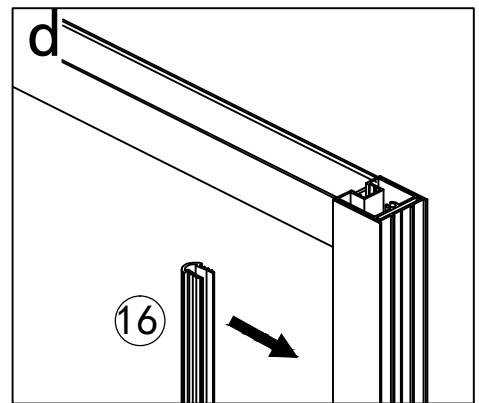
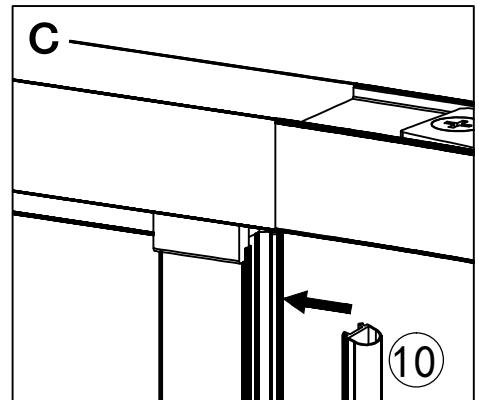
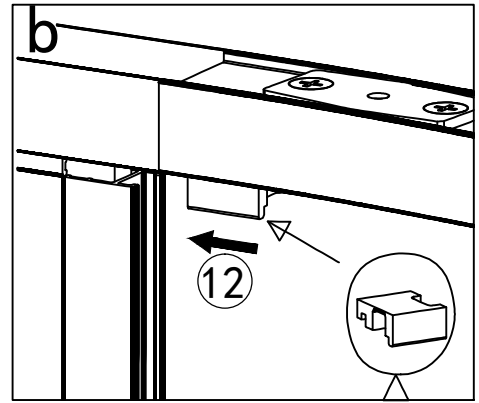
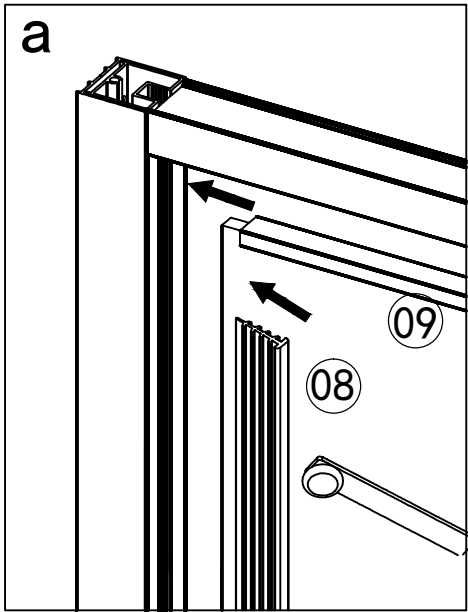
R

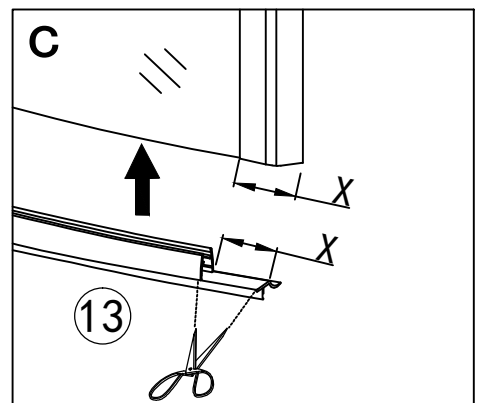
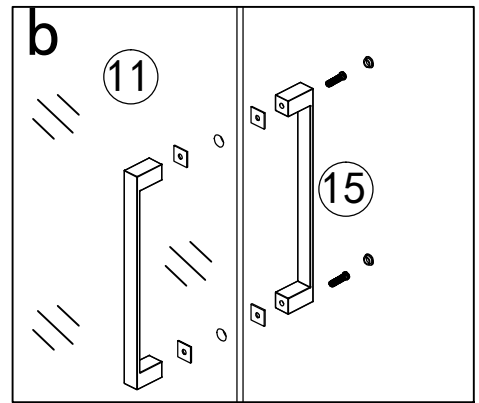
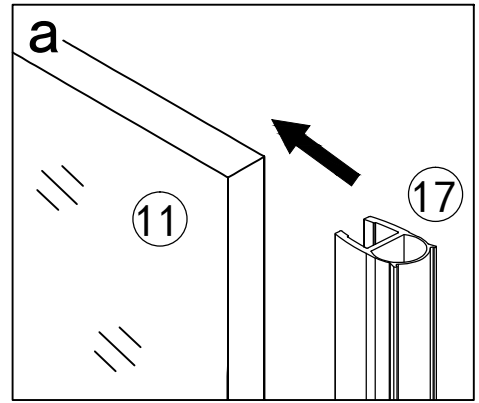
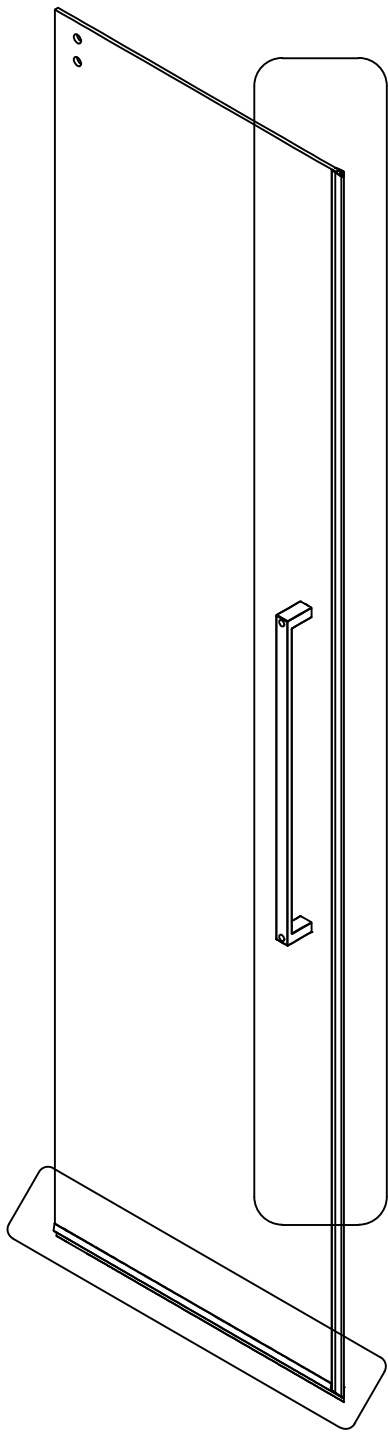


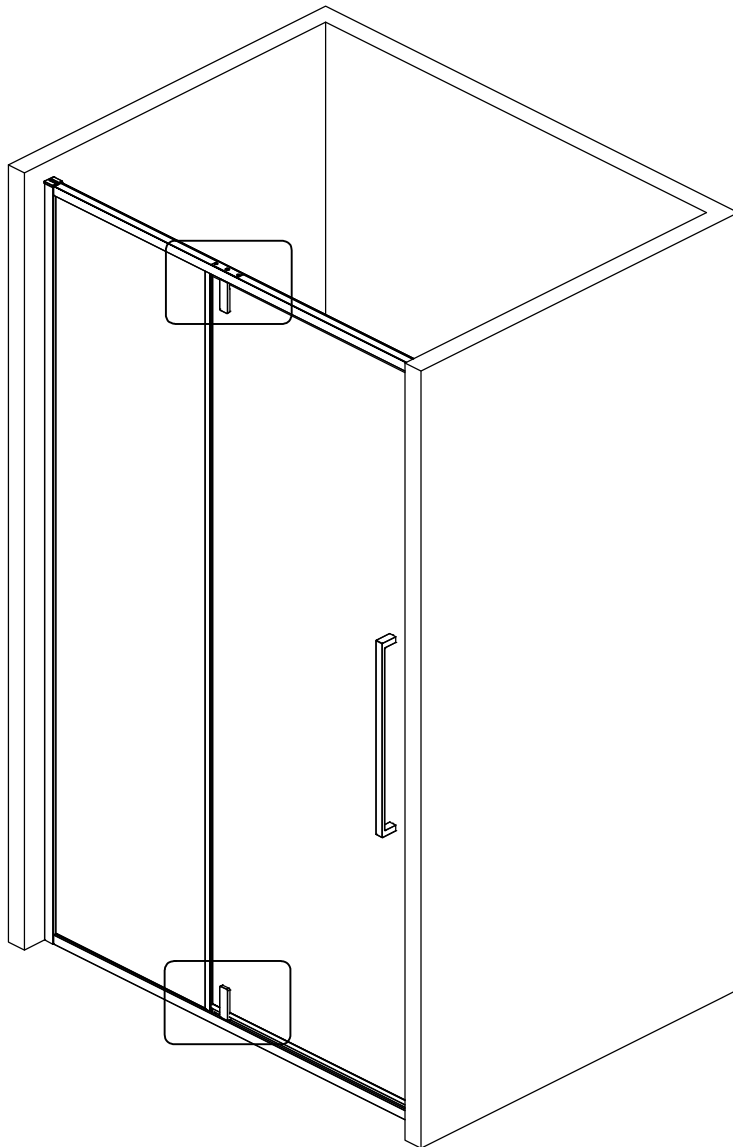
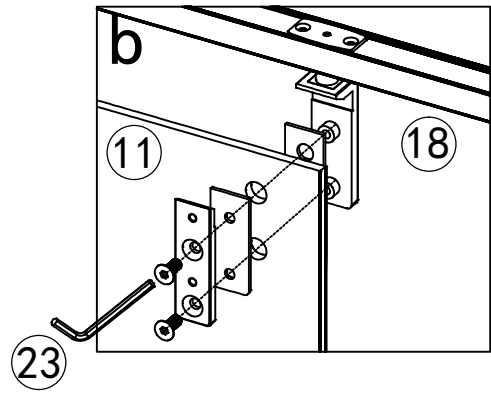
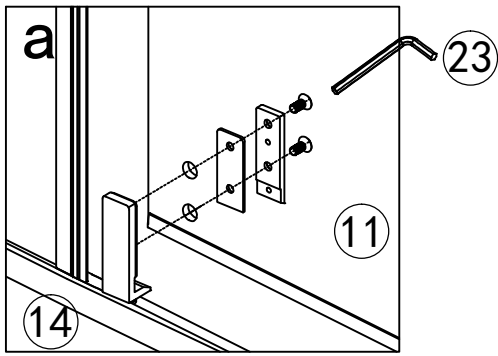


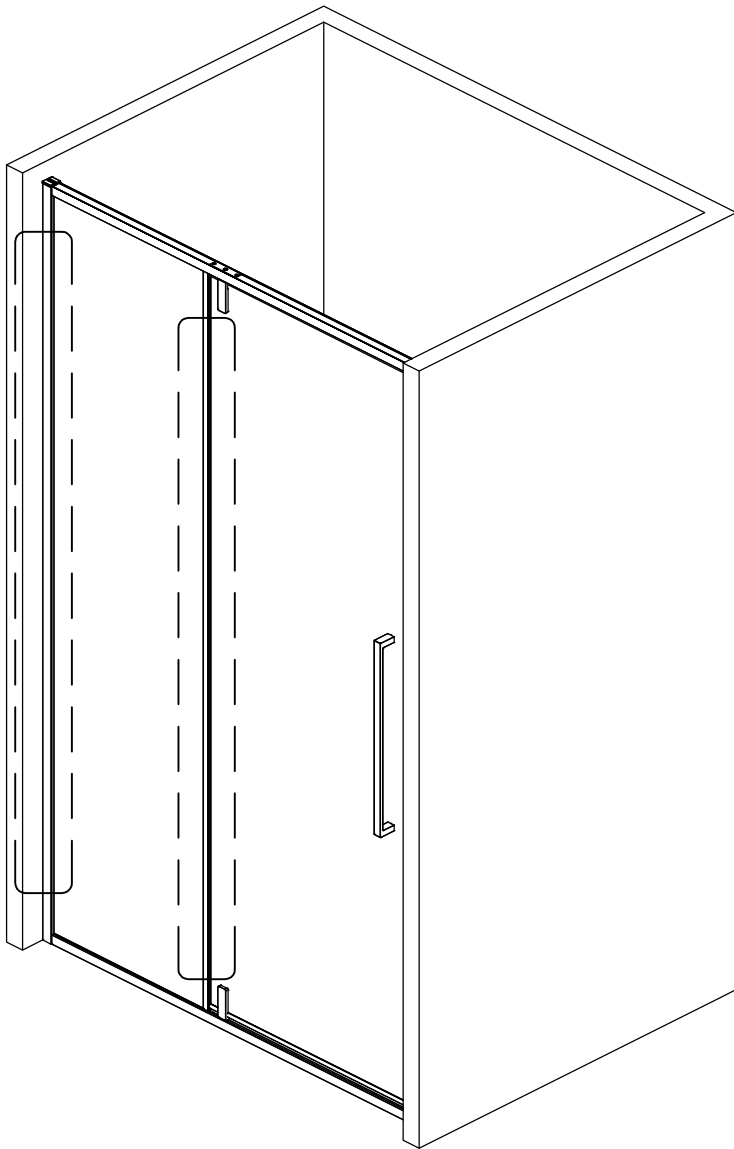
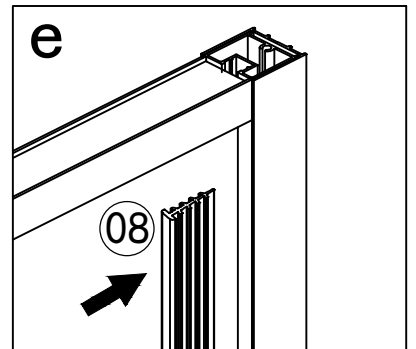
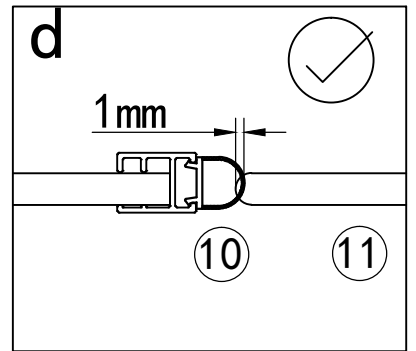
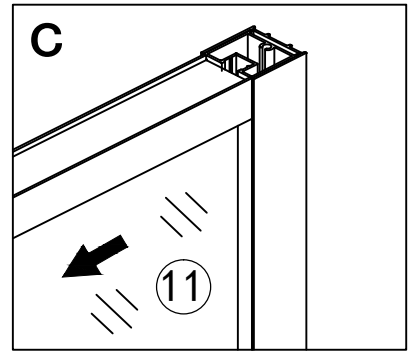
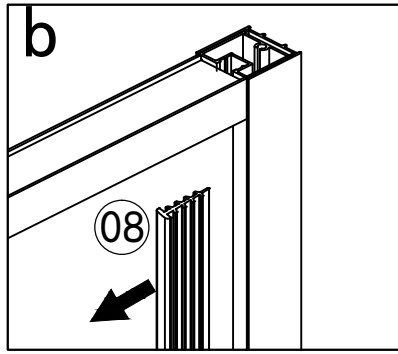
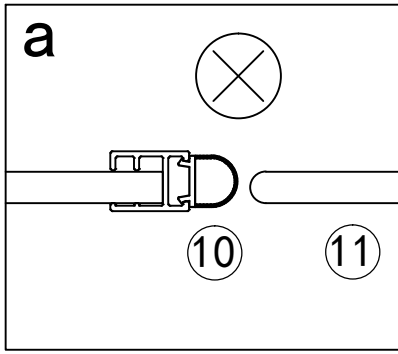


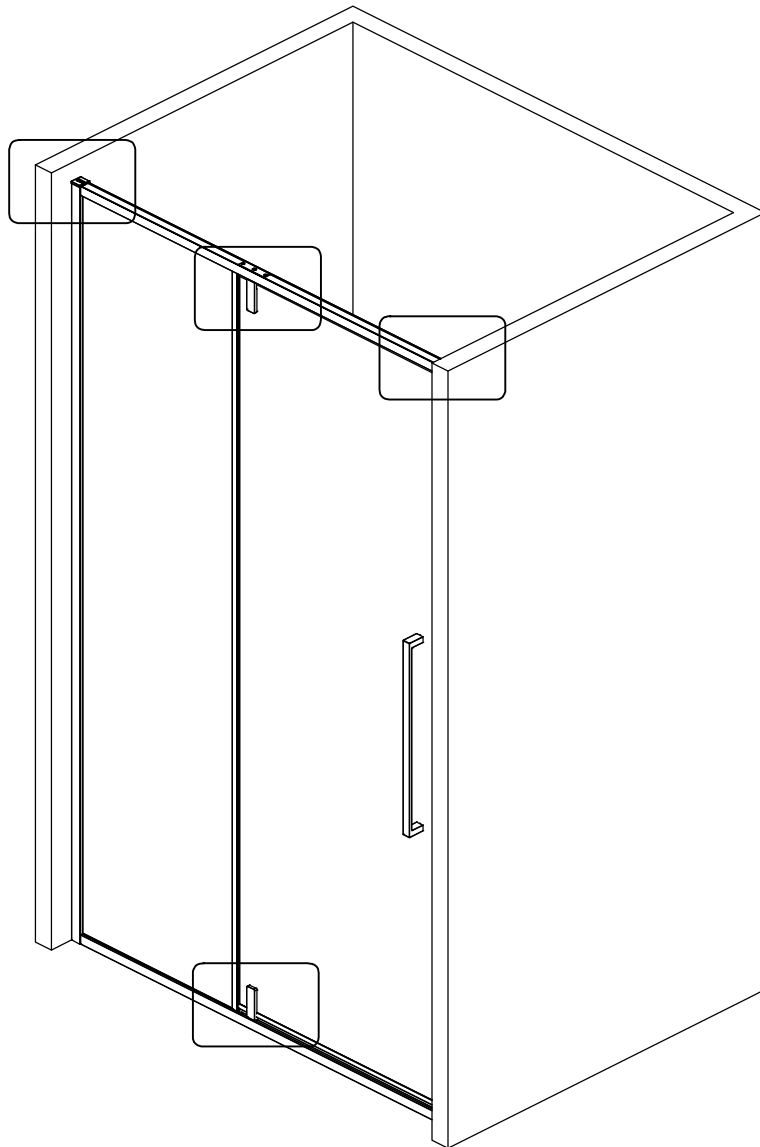
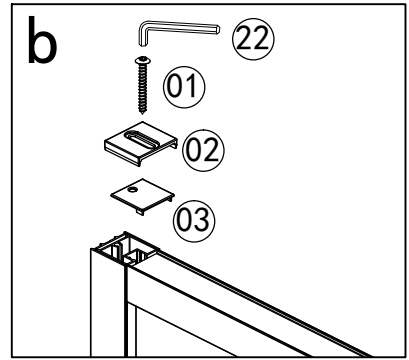
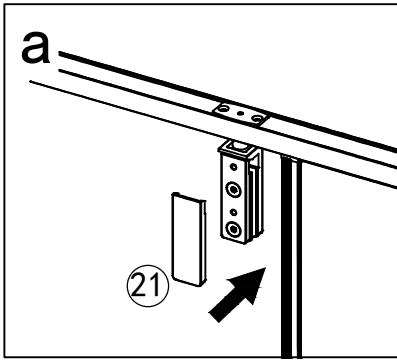


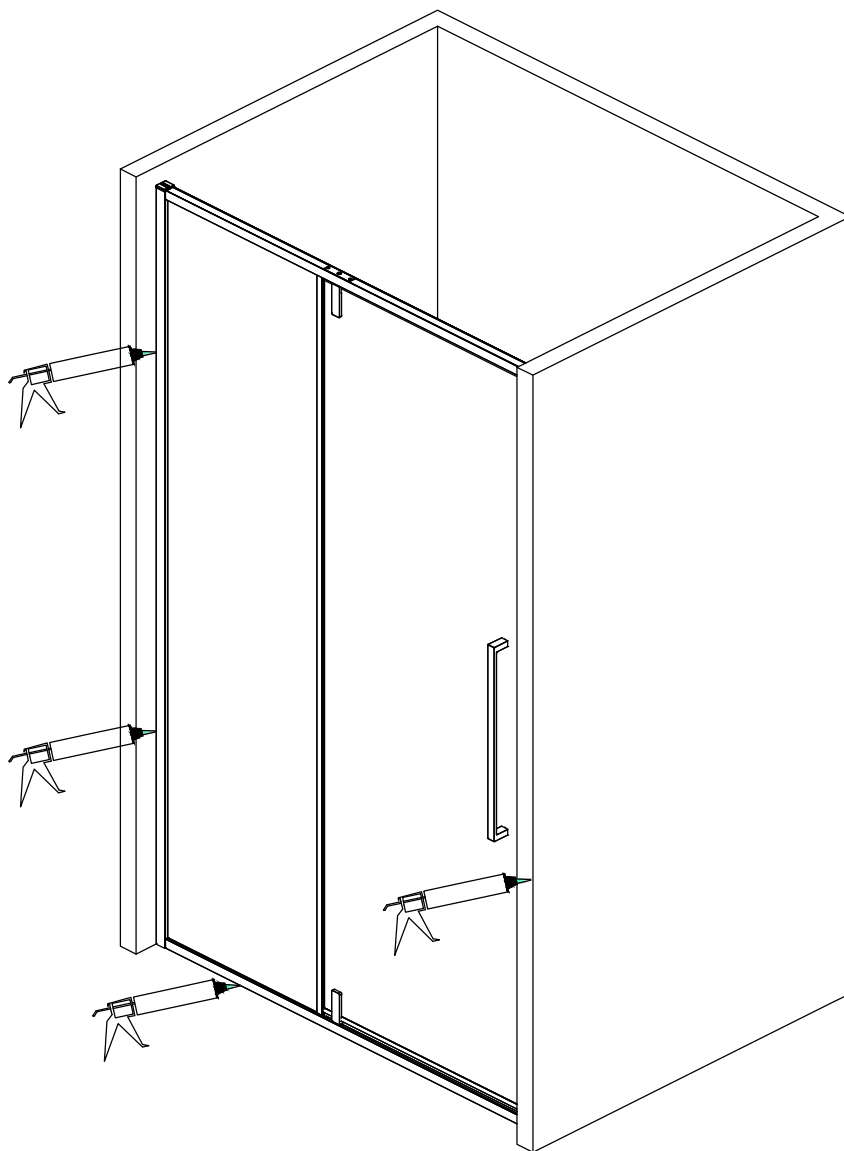
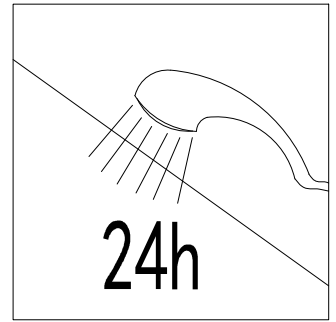












# COPEN

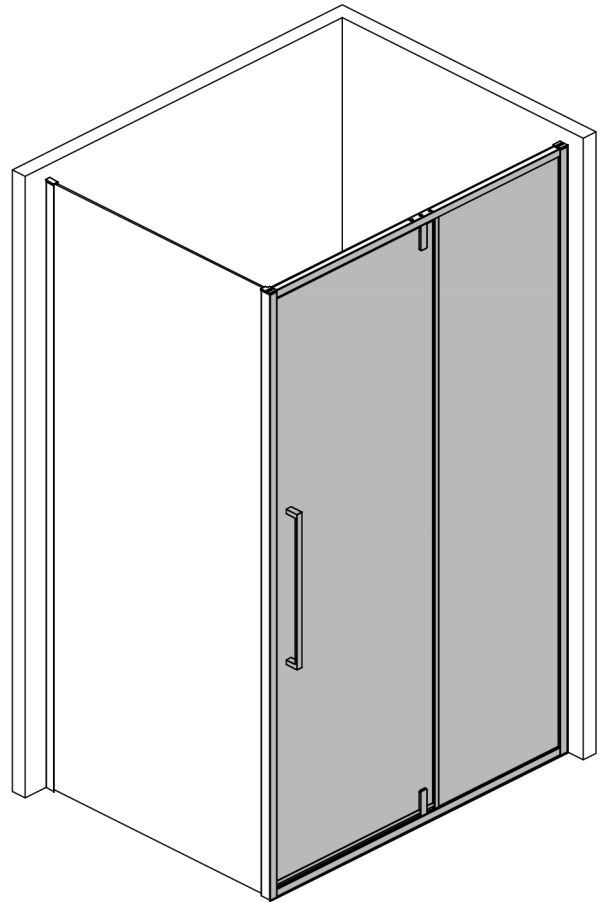
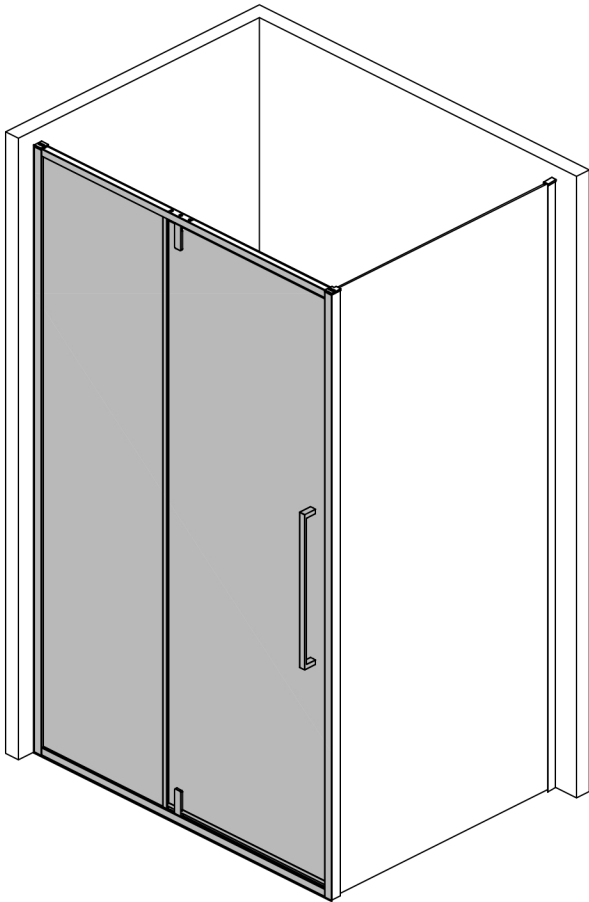
C-02-6070

C-02-B6080

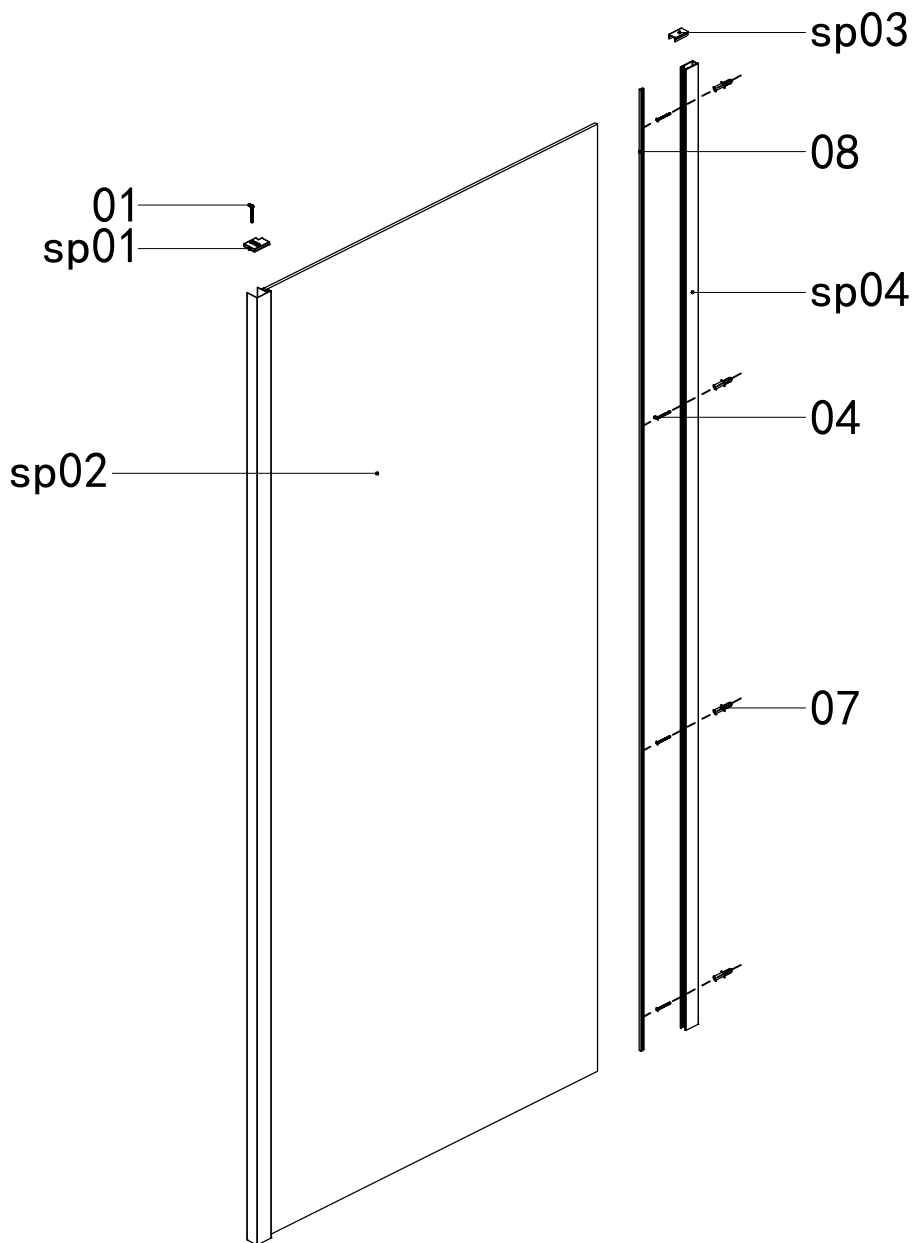
C-02-6080








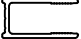
C-02-B6090

C-02-6090



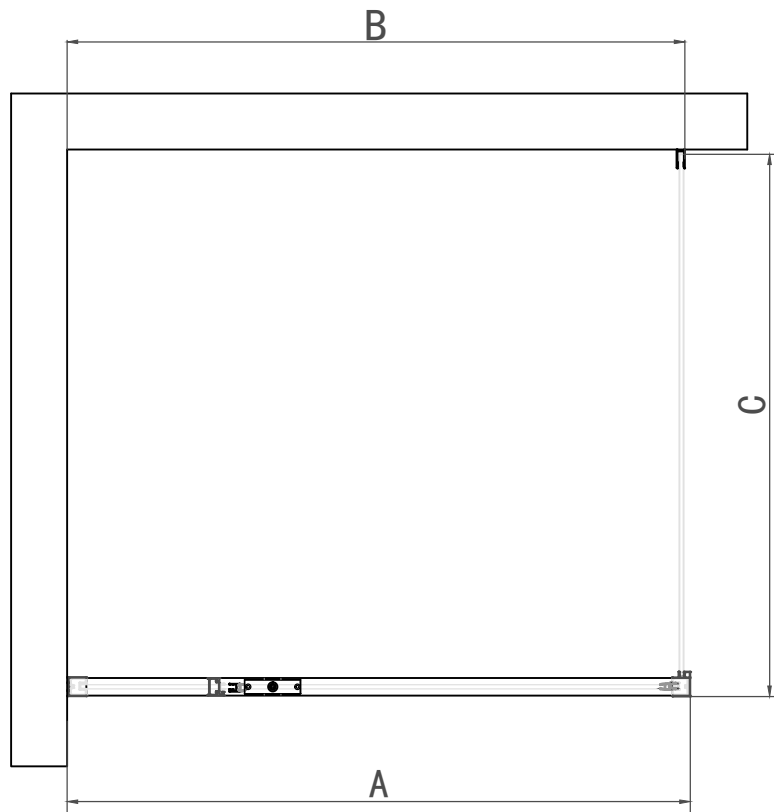




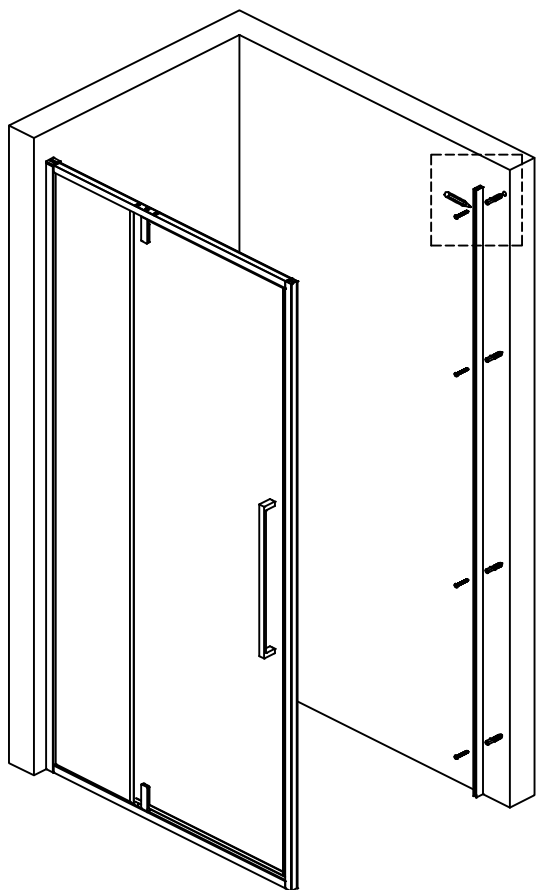
Serial number	Graphical	Name	Quantity	Remarks
01		ST3. 5X20	1PCS	
04		ST3. 9X35	4PCS	
07			4PCS	
08			1PCS	
sp01			1PCS	
sp02			1PCS	
sp03			1PCS	
sp04			1PCS	

	A	B
800	775-790	765-780
900	875-890	865-880
1000	975-990	965-980
1100	1075-1090	1065-1080
1200	1175-1190	1165-1180

	C
700	675-685
800	775-785
900	875-885
1000	975-985



L



R

